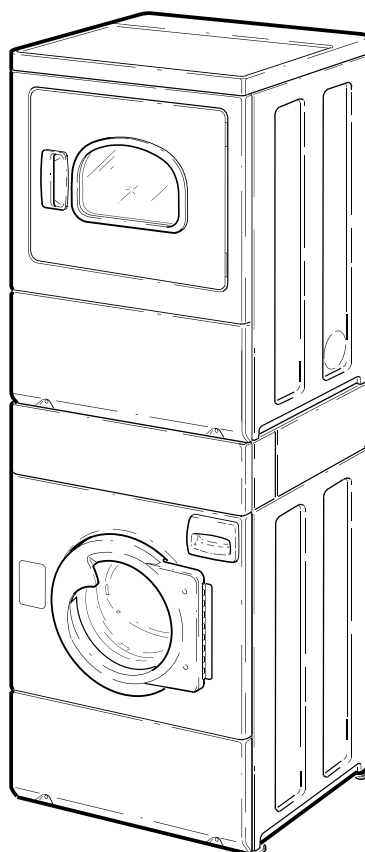


Homestyle Stacked Washer/ Dryer

Refer to Page 3 for Model Numbers



SWD441C_801998

Table of Contents

Title	Page
Parts Ordering Information.....	2
Nameplate Location	2
Model Identification	3
Control Cabinet and Controls.....	4
Control Panel and Controls	6
Washer Front Panel, Door Assembly and Door Seal.....	8
Dispenser Assembly	10
Mixing Valve, Valve-to-Dispenser Inlet Hose and Fill Hose	12
Outer Tub, Front and Clamp Ring.....	14
Inner Basket, Trunnion, Bearing Housing and Pulley	16
Washer Motor and Belt	18
Drain Hose and Pump.....	20
Washer Base, Side Panels and Rear Panel	22
Washer Lead-In Cord, Wire Ties and Harness Clips	24
Dryer Loading Door.....	26
Dryer Access Panel, Front Panel and Seal.....	28
Dryer Motor, Exhaust Fan and Belt.....	30
Front Bulkhead, Air Duct, Felt Seal and Cylinder	32
Rear Bulkhead, Felt Seal, Cylinder Roller and Terminal Block.....	34
Heater Duct and Element Assembly	36
Heater Duct Assembly	38
Gas Valve, Igniter and Gas Conversion Kits.....	40
Dryer Cabinet, Exhaust Duct and Base	42
Dryer Power Cord	44
Dryer Motor Connection Block, Terminal Extractor Tools	46
Shipping Materials	48
Special Tools	50
Labels	52
Wire Harnesses and Wires	54
Parts Index.....	57

© Copyright 2010, Alliance Laundry Systems LLC

All rights reserved. No part of the contents of this book may be reproduced or transmitted in any form or by any means without the expressed written consent of the publisher.

Parts Ordering Information

If literature or replacement parts are required, contact the source from whom the machine was purchased or contact Alliance Laundry Systems at (920) 748-3950 for the name and address of the nearest authorized parts distributor.

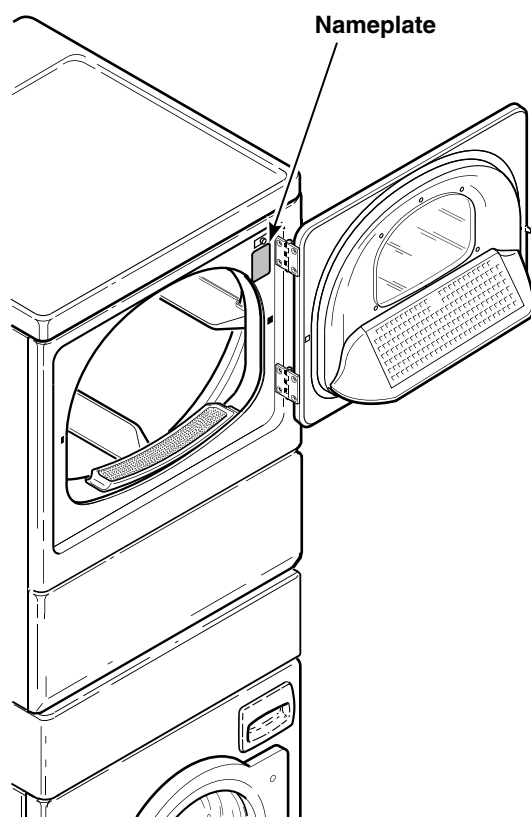
For technical assistance, call either of the numbers listed below:

(920) 748-3121 Ripon, Wisconsin

+32 56 41 20 54 Wevelgem, Belgium

Nameplate Location

When calling or writing about your product, be sure to mention model and serial numbers. Model and serial numbers are located on nameplate(s) as shown.



SWD1134P_801998

Model Identification

Information in this manual is applicable to these stacked washer/dryer models:

LTS87A*H

LTU87A*H

LTZ87A*H

LTZ89A*H

LTS87A*H1500

LTU89A*H

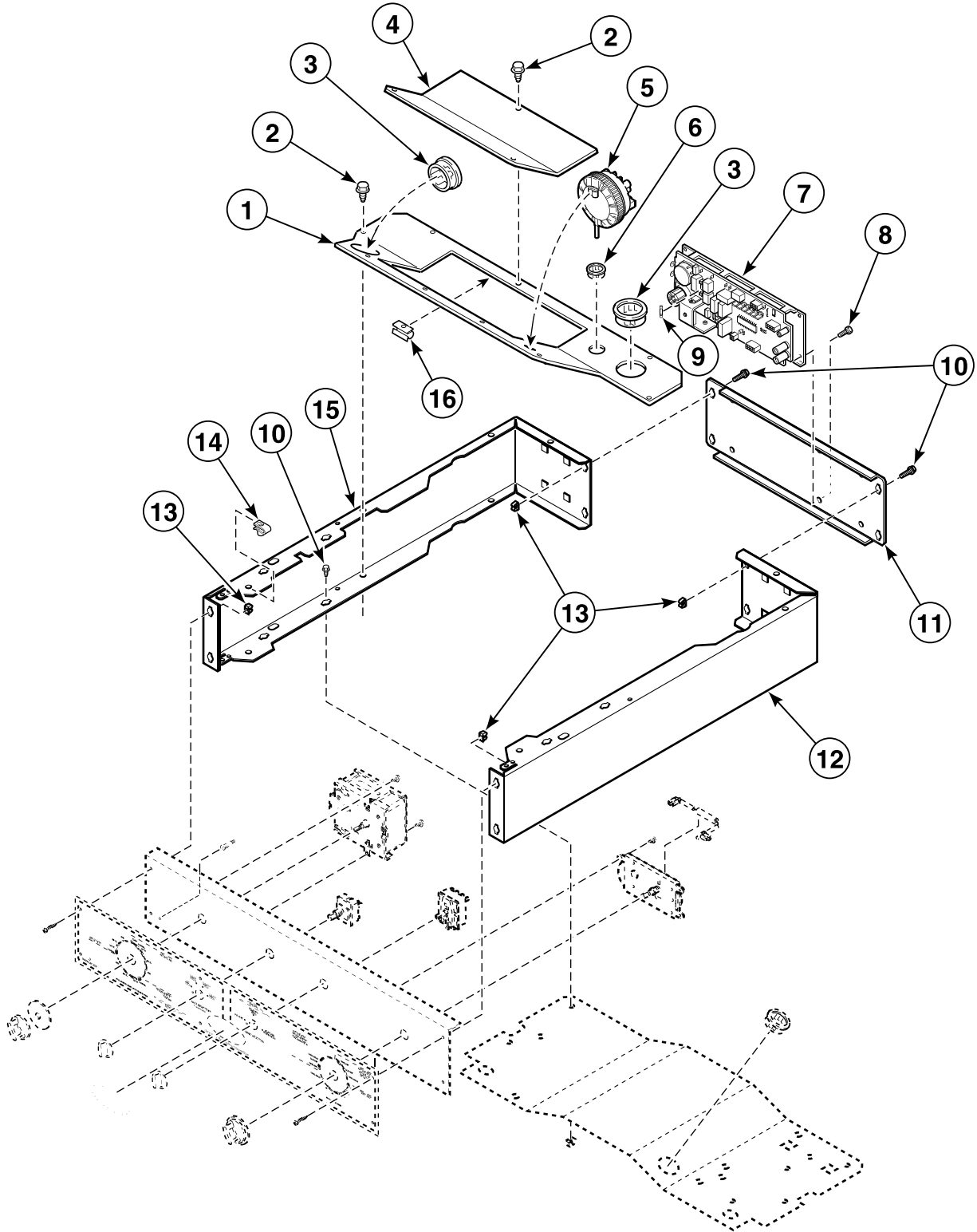
LTZ87A*H2802

LTZ89A*H0902

LTS89A*H

* Add Letter To Designate Color. L - Almond Q - Bisque W - White

Control Cabinet and Controls



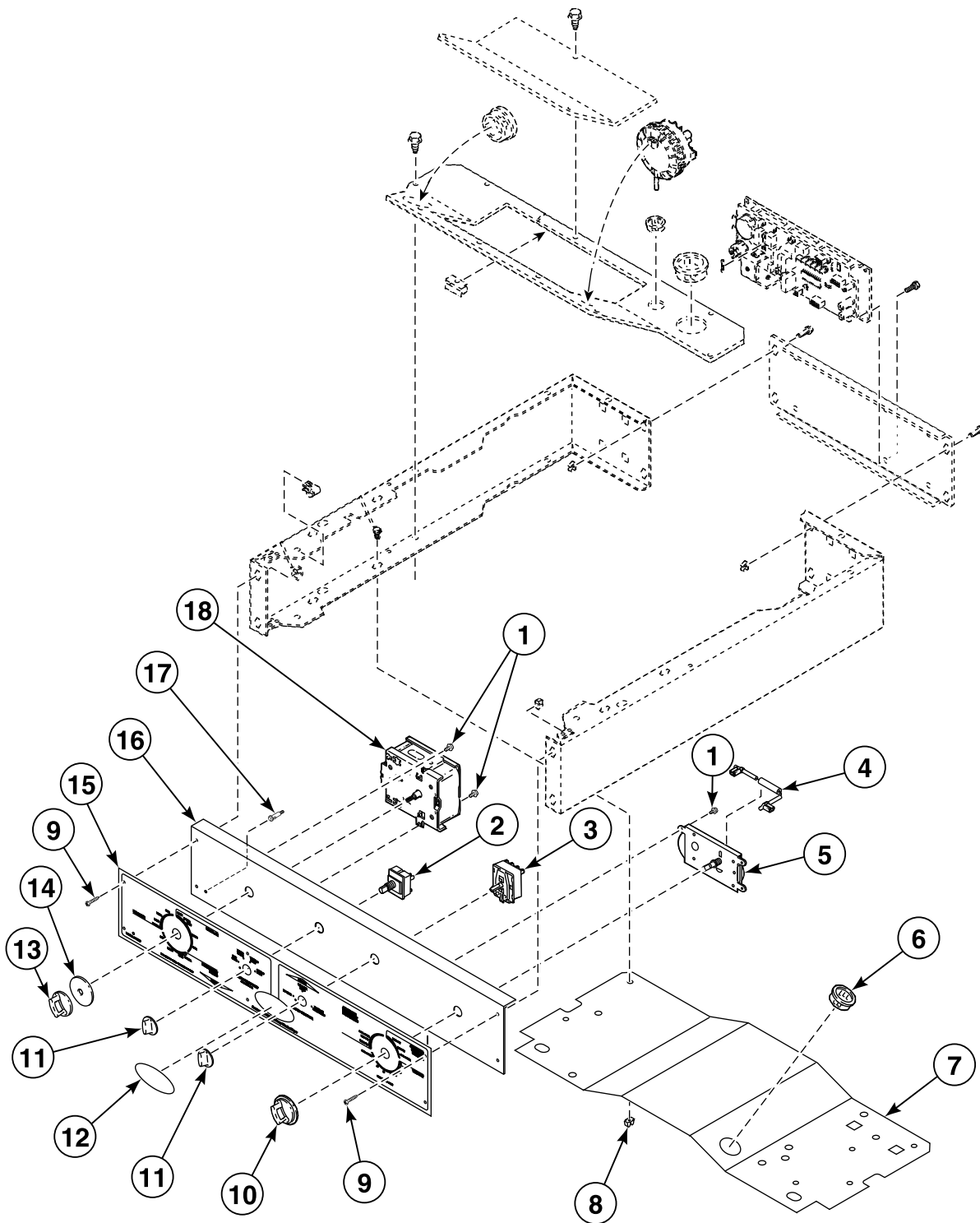
SWD1262P_801998

Control Cabinet and Controls

REF	PART NO.	DESCRIPTION	COMMENTS
1	801372	Control Shield	Uses service door
	801371	Control Shield	No service door
2	503661	Screw	
3	503235	Snap Bushing	
4	N/A	Control Shield Door	
5	800468P	Pressure Switch	
6	M402542	Snap Bushing	
7	800076P	Control Board Kit	
8	501524	Screw	
9	F350138	Fuse	7 Amp; 1.25 x .25
10	430497	Screw	
11	800867	Control Cabinet Rear	
12	800915W	Right Control Cabinet Side	White
	800915L	Right Control Cabinet Side	Almond
	800915Q	Right Control Cabinet Side	Bisque
13	70030501	Expansion Clip	
14	800931	Nut	
15	800900WP	Left Control Cabinet Side	White
	800900LP	Left Control Cabinet Side	Almond
	800900QP	Left Control Cabinet Side	Bisque
16	36985	Hose Clip	

N/A = Part no longer available

Control Panel and Controls



SWD1262PA_801998

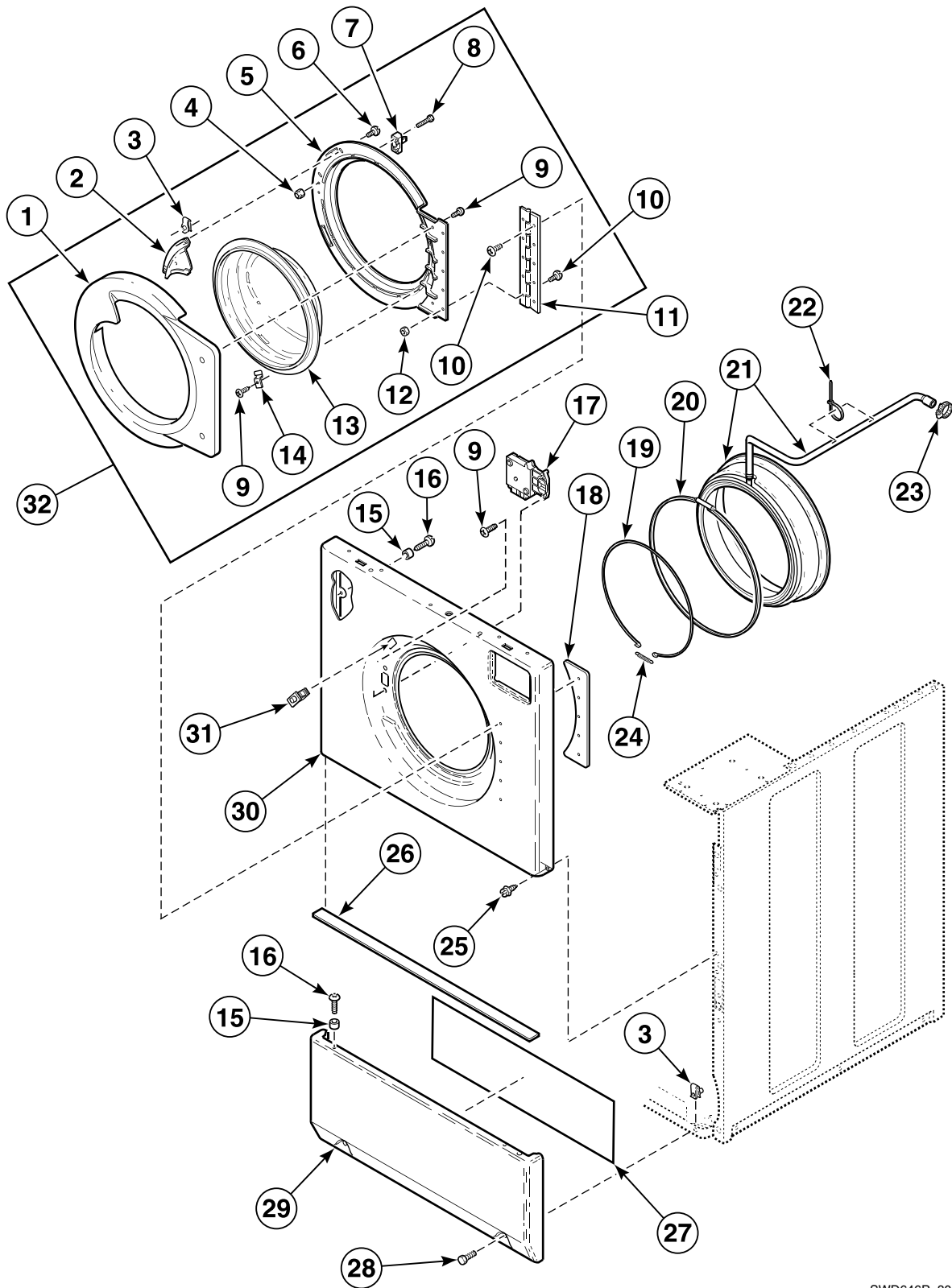
Control Panel and Controls

REF	PART NO.	DESCRIPTION	COMMENTS
1	501086	Screw	
2	687542P	Temperature Switch	Washer
3	510212	Fabric Selector Switch	Dryer
4	511277	Resistor Assembly	Use with 505797 Timer; Models LTS87A*H, LTS87A*H1500, LTU87A*H, LTZ87A*H and LTZ87A*H2802
5	505797P	Timer and Harness Kit	Electric dryer models
	505794P	Timer	Gas dryer models
6	M405340	Snap Bushing	
7	801777	Control Cabinet Bottom	
8	70030501	Expansion Clip	
9	800930	Screw	
10	512117W	Timer Knob Assembly	White; Dryer
	512117Q	Timer Knob Assembly	Bisque; Dryer
11	36701W	Knob Assembly	White
	36701L	Knob Assembly	Almond
	36701Q	Knob Assembly	Bisque
12	800921	Domed Label	Models LTS87A*H, LTS87A*H1500 and LTS89A*H
	800922	Domed Label	Models LTZ87A*H, LTZ87A*H2802, LTZ89A*H and LTZ89A*H0902
	800923	Domed Label	Models LTU87A*H and LTU89A*H
13	201501W	Timer Knob	White; Washer
	201501Q	Timer Knob	Bisque; Washer
14	36700W	Timer Skirt Assembly	White; Washer
	N/A	Timer Skirt Assembly	Almond; Washer
	36700Q	Timer Skirt Assembly	Bisque; Washer
15	800920	Overlay	
16	800876W	Control Panel Assembly	White
	800876L	Control Panel Assembly	Almond
	800876Q	Control Panel Assembly	Bisque
17	32519	Light	
18	687537P	Timer	Washer

* Add Letter To Designate Color. L - Almond Q - Bisque W - White

N/A = Part no longer available

Washer Front Panel, Door Assembly and Door Seal



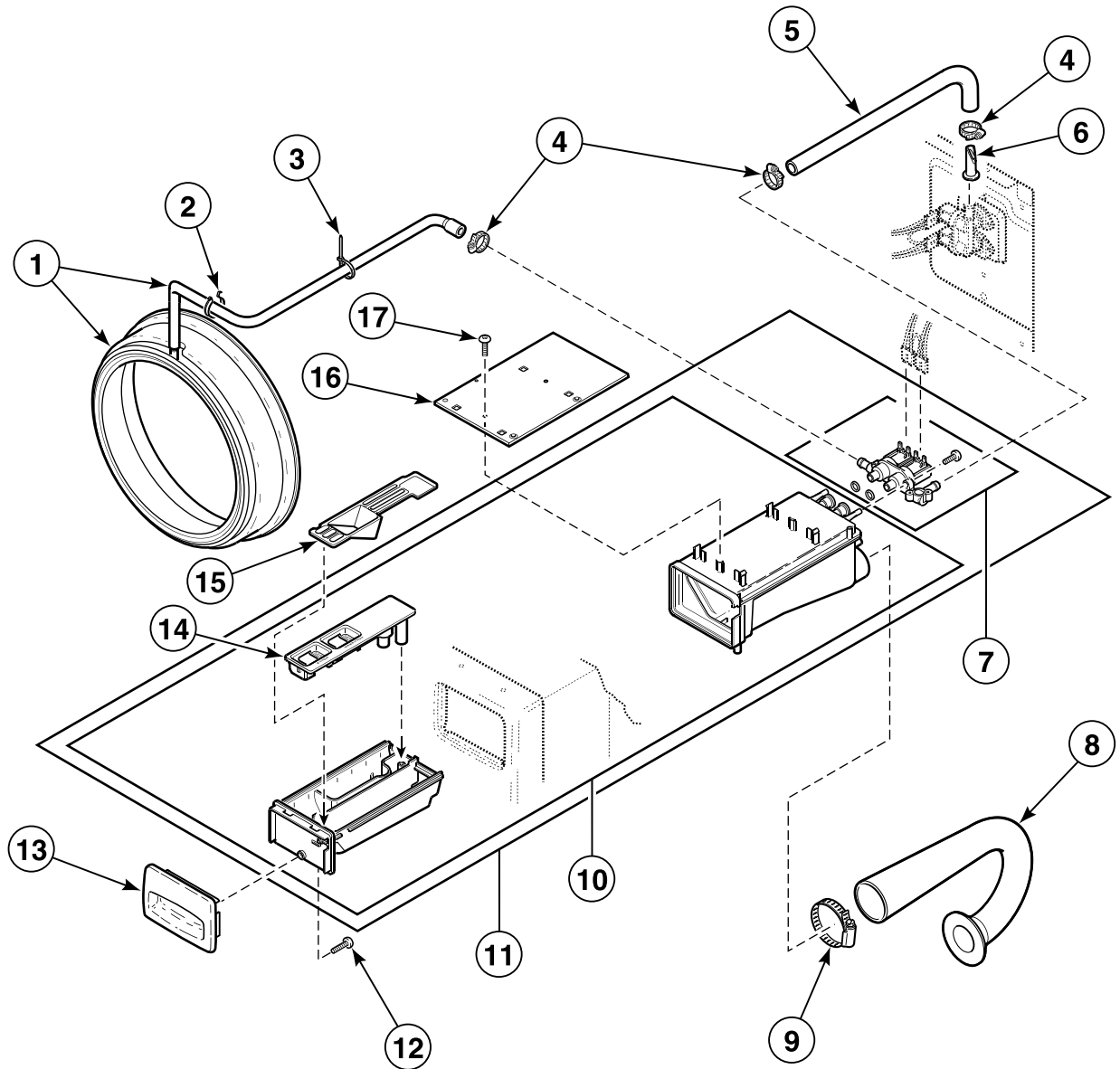
SWD646P_801998

Washer Front Panel, Door Assembly and Door Seal

REF	PART NO.	DESCRIPTION	COMMENTS
1	800341W	Door Bezel	White
	800341L	Door Bezel	Almond
	800341Q	Door Bezel	Bisque
2	800342	Door Handle	
3	36020	Nut	
4	685846	Nut	
5	800340	Inner Door Bezel	
6	800528	Screw	
7	685430	Locking Catch	
8	801993	Screw	
9	800548	Screw	
10	801019	Screw	
11	802934	Door Hinge	
12	23951	Nut	
13	800343P	Door Glass	
14	800906	Hold-Down Clip	
15	56079	Panel Locator	
16	39733	Screw	
17	685429	Door Latch/Switch Assembly	
18	802412	Hinge Plate	
19	800438	Wire Clamp Ring	
20	685743P	Door Seal Clamp	
21	800232	Door Seal and Hose Assembly	Black
	801784	Door Seal and Hose Assembly	Gray
22	55881	Harness Strap	
23	802164	Hose Clamp	
24	800346	Extension Spring	
25	503661	Screw	
26	N/A	Foam Tape	
27	685368	Access Panel Damper	
28	23008	Screw	
29	510069WP	Access Panel	White
	510069LP	Access Panel	Almond
	510069QP	Access Panel	Bisque
30	800336WP	Front Panel	White
	800336LP	Front Panel	Almond
	800336QP	Front Panel	Bisque
31	800211	Door Switch	
32	800436WP	Door Assembly	White; Includes items 1-14
	800436LP	Door Assembly	Almond; Includes items 1-14
	800436QP	Door Assembly	Bisque; Includes items 1-14

N/A = Part no longer available

Dispenser Assembly

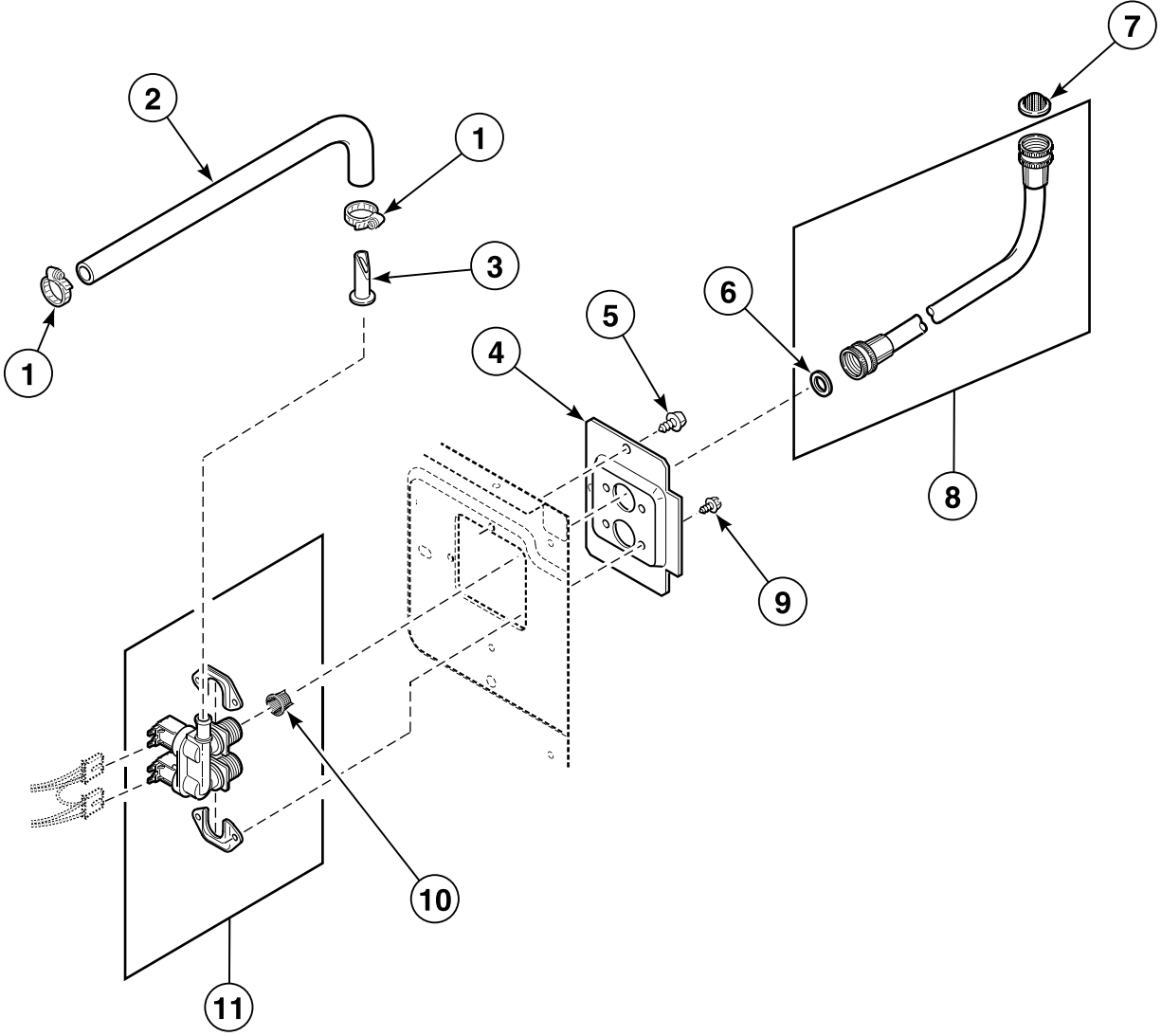


FLW859P_801998

Dispenser Assembly

REF	PART NO.	DESCRIPTION	COMMENTS
1	800232	Door Seal and Hose Assembly	Black
	801784	Door Seal and Hose Assembly	Gray
2	687500	Wire Clip	
3	55881	Harness Strap	
4	802164	Hose Clamp	
5	801464	Valve-to-Dispenser Inlet Hose	
6	34500	Backflow Preventer	
7	685766P	Valve Kit	
8	800331	Dispenser-to-Tub Hose	
9	685725	Hose Clamp	
10	801476P	Dispenser Assembly	Includes item 14 and drawer
11	685756P	Dispenser	Includes items 7, 10 and 14
12	800548	Screw	
13	685715WP	Dispenser Drawer Front	White
	685715L	Dispenser Drawer Front	Almond
	685715Q	Dispenser Drawer Front	Bisque
14	685716	Insert	
15	800899	Detergent Cover	
16	801024	Dispenser Plate	
17	801001	Screw	

Mixing Valve, Valve-to-Dispenser Inlet Hose and Fill Hose

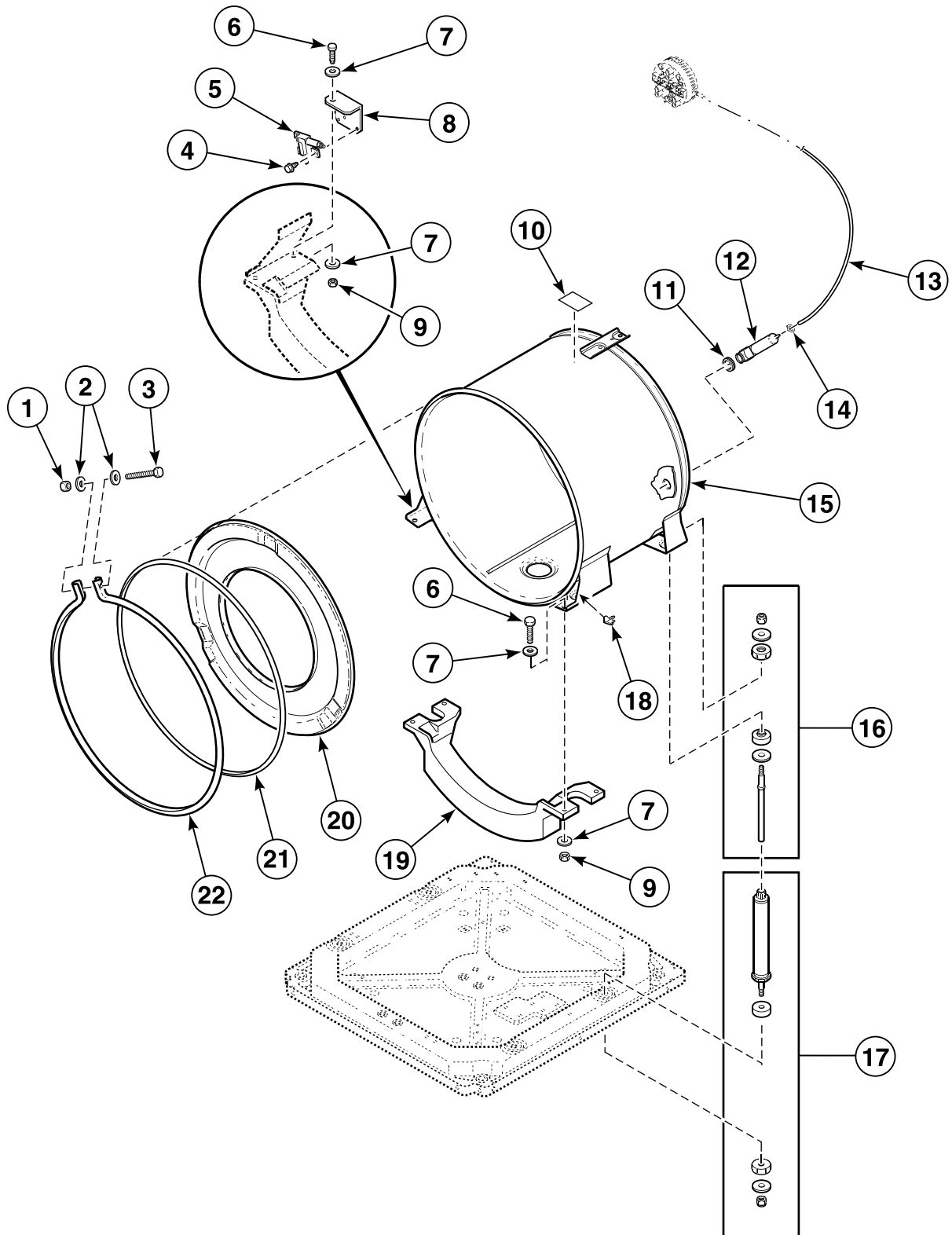


FLW881P_801998

Mixing Valve, Valve-to-Dispenser Inlet Hose and Fill Hose

REF	PART NO.	DESCRIPTION	COMMENTS
1	802164	Hose Clamp	
2	801464	Valve-to-Dispenser Inlet Hose	
3	34500	Backflow Preventer	
4	800323	Mixing Valve Plate	
5	503661	Screw	
6	20290	Washer	
7	28605	Washer	Filter screen
	802254	Washer	Flow restrictor; Water pressure reducer; Available for water pressure up to but not exceeding 120 psi
8	28330P	Fill Hose Kit	5 feet; Includes 2 of item 7
	20617	Fill Hose	8 feet
	20618	Fill Hose	10 feet
9	501086	Screw	
10	802926	Mixing Valve Screen	
11	802220P	Mixing Valve	

Outer Tub, Front and Clamp Ring

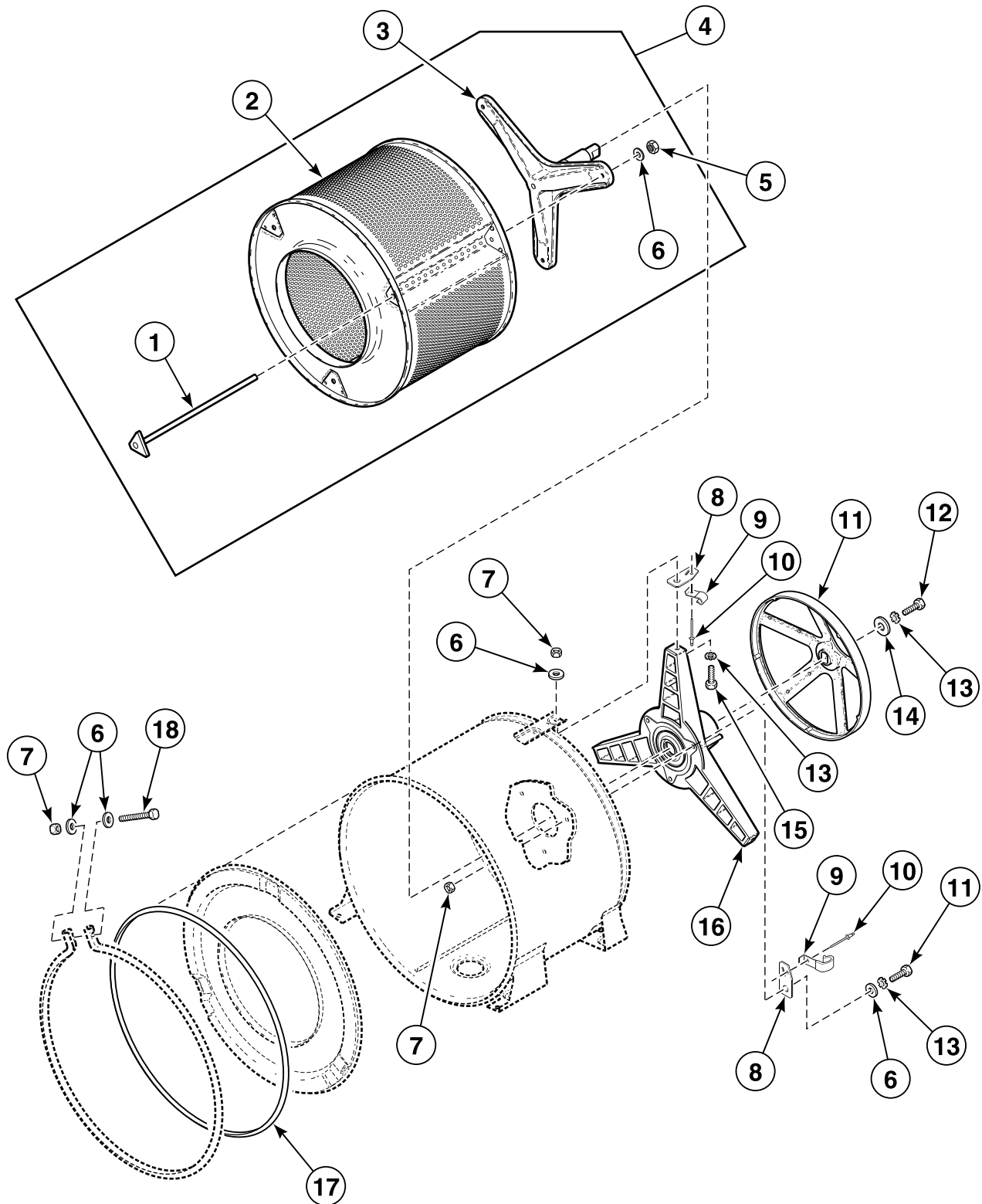


FLW866P_801998

Outer Tub, Front and Clamp Ring

REF	PART NO.	DESCRIPTION	COMMENTS
1	F430218	Nut	
2	800457	Washer	
3	800462	Screw	
4	503661	Screw	
5	801006	Out-of-Balance Switch Assembly	
6	800461	Screw	
7	M400081	Washer	
8	800663	Switch Mounting Bracket	
9	800452	Nut	
10	500049	Warning Label	
11	29175	Grommet	
12	30907	Pressure Bulb	
13	800648P	Tubing	
14	39282	Hose Clamp	
15	801081P	Outer Tub Assembly	
16	800622P	Tub Shock Absorber Kit	Upper
17	800623P	Base Shock Absorber Kit	Lower
18	00161	Grounding Clip	
19	800205	Ballast Weight	
20	800430	Tub Front Assembly	
21	800432P	Tub Front Seal	
22	800312	Clamp Ring	

Inner Basket, Trunnion, Bearing Housing and Pulley

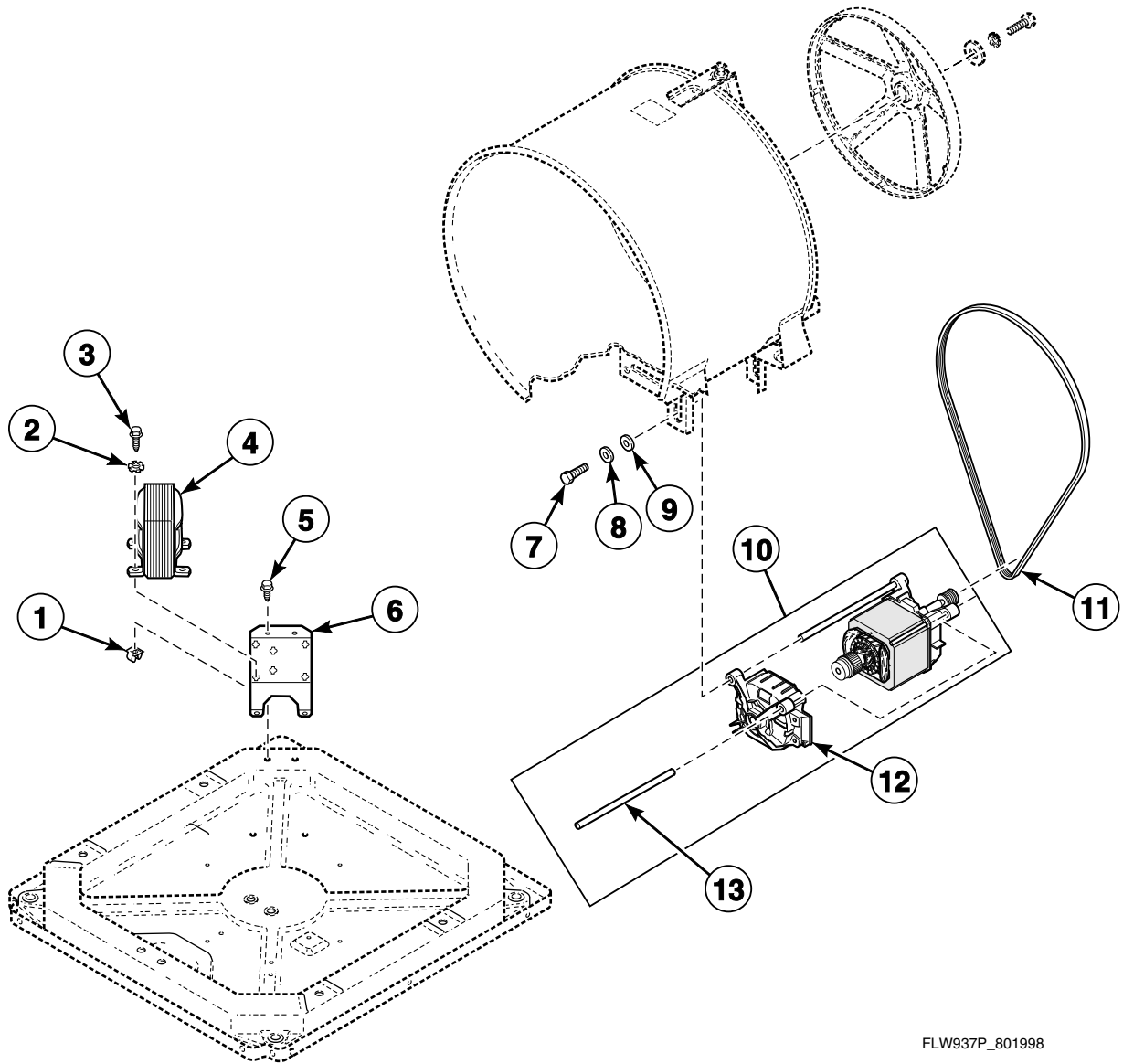


FLW865P_801998

Inner Basket, Trunnion, Bearing Housing and Pulley

REF	PART NO.	DESCRIPTION	COMMENTS
	27604P	Anti-Seize Compound	Pulley to inner basket shaft
	838P3	Hardware Kit	Includes 27604P Anti-Seize Compound, (8) of item 6, (7) each of items 7 and 13, (6) of item 10 and (1) each of items 12, 14, 17 and 18
1	800666	Tension Rod Assembly	
2	800198P	Inner Basket Kit	Includes 838P3 Hardware Kit and (3) each of items 1, 5 and 6
3	800749P	Trunnion Shaft and Hardware Kit	Includes 838P3 Hardware Kit and (3) each of items 1, 5 and 6
4	800429P	Inner Basket Assembly	Includes 838P3 Hardware Kit, items 2, 3 and (3) each of items 1, 5 and 6
5	685844	Nut	
6	800457	Washer	
7	800452	Nut	
8	800552	Hose Mounting Plate	
9	800553	Hose Clip	
10	685847	Pop Rivet	
11	800866	Driven Pulley	
12	685831	Screw	Left hand thread
13	M403958	Washer	
14	800464	Washer	
15	M400043	Screw	
16	800428P	Bearing Housing Kit	Includes 838P3 Hardware Kit
17	800432P	Tub Front Seal	
18	800462	Screw	

Washer Motor and Belt



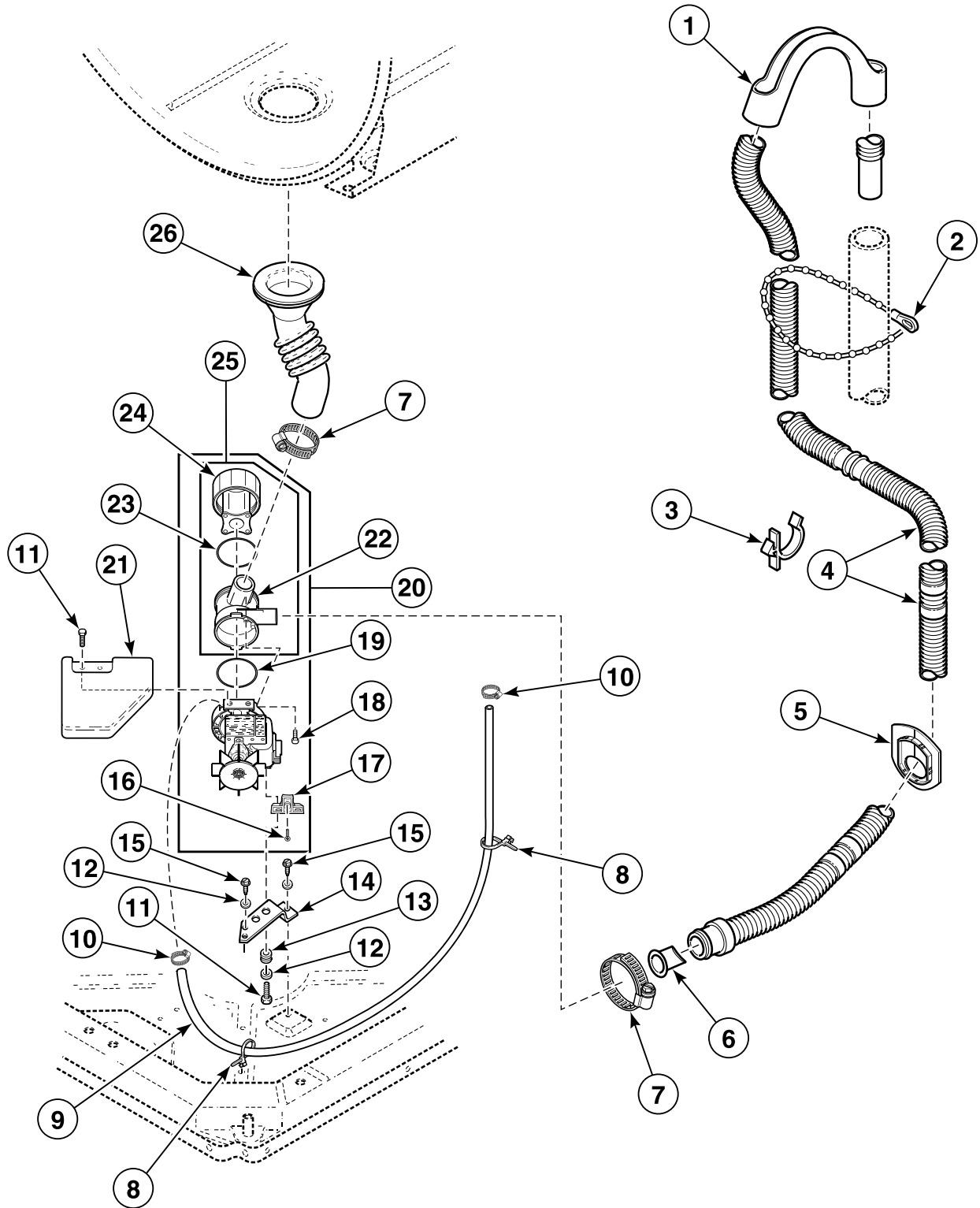
FLW937P_801998

Washer Motor and Belt

REF	PART NO.	DESCRIPTION	COMMENTS
1	70030501	Expansion Clip	
2	M400014	Washer	
3	M411072	Screw	
4	686513P	Transformer	
5	503661	Screw	
6	N/A	Transformer Bracket	
7	M400056	Screw	
8	02834	Washer	
9	M400080	Washer	
10	685639P	Motor Assembly	230 Volt; Includes item 12
11	800319P	Drive Belt	
12	738P3	Motor Brush Kit	
13	801062	Motor Mount Rod	

N/A = Part no longer available

Drain Hose and Pump

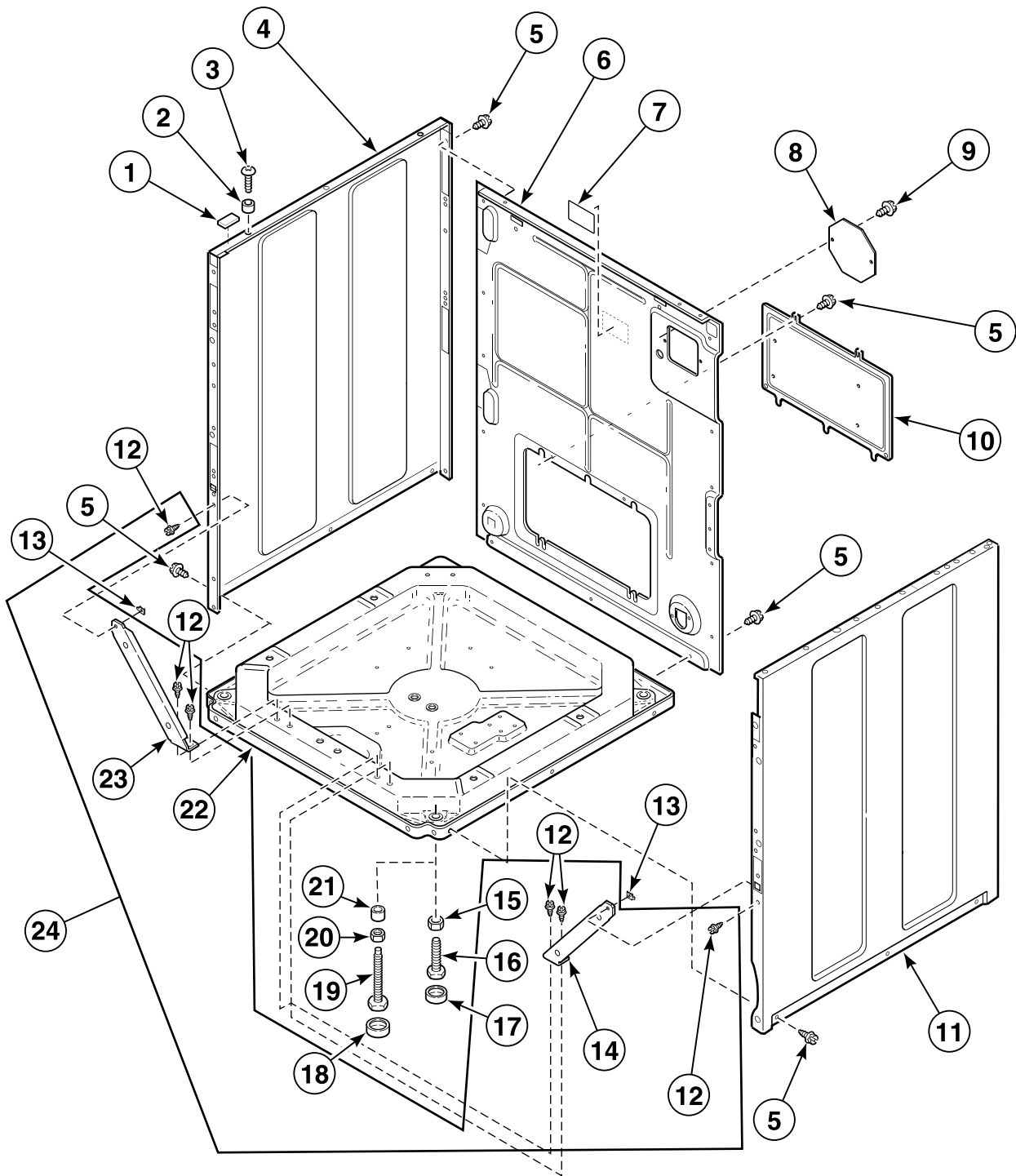


FLW931P_801998

Drain Hose and Pump

REF	PART NO.	DESCRIPTION	COMMENTS
1	33615	Drain Hose Sleeve	
2	33489	Standpipe Strap	
3	36014	Retainer Clip	
4	685730	Drain Hose	
5	32219	Strain Relief	
6	800310	Backflow Preventer	
7	36802	Hose Clamp	
8	38663	Wire Tie	
9	800424	Pump-to-Dispenser Hose Assembly	Use with 685703 Drain Pump
10	F200206	Hose Clamp	Use with 685703 Drain Pump
11	38096	Screw	Metric; Use with 685703 Drain Pump
	501285	Screw	Use with 801015 Drain Pump
12	800465	Washer	
13	802218	Grommet	
14	802219	Pump Bracket	
15	503661	Screw	
16	802430	Screw	Use with 801015 Drain Pump
17	802432	Pump Mount	Use with 801015 Drain Pump
18	802431	Screw	Use with 801015 Drain Pump
19	802487	O-Ring	Use with 685703 Drain Pump
	802429	O-Ring	Use with 801015 Drain Pump
20	888P3	Drain Pump Kit	
21	38067	Pump Shield	Use with 685703 Drain Pump
22	801208	Pump Housing	Use with 685703 Drain Pump
	802428	Pump Housing	Use with 801015 Drain Pump
23	801207	O-Ring	Use with 685703 Drain Pump
	802427	Gasket	Use with 801015 Drain Pump
24	801206P	Lid Assembly	Includes filter; Use with 685703 Drain Pump
	802426P	Lid Assembly	Includes filter; Use with 801015 Drain Pump
25	801209	Pump Housing Assembly	Includes items 22-24; Use with 685703 Drain Pump
	802434P	Pump Housing Assembly	Includes items 22-24; Use with 685703 Drain Pump
26	800317	Tub-to-Pump Hose	
	27615P	Sealant	Tub-to-pump hose to outer tub

Washer Base, Side Panels and Rear Panel



SWD1146P_801998

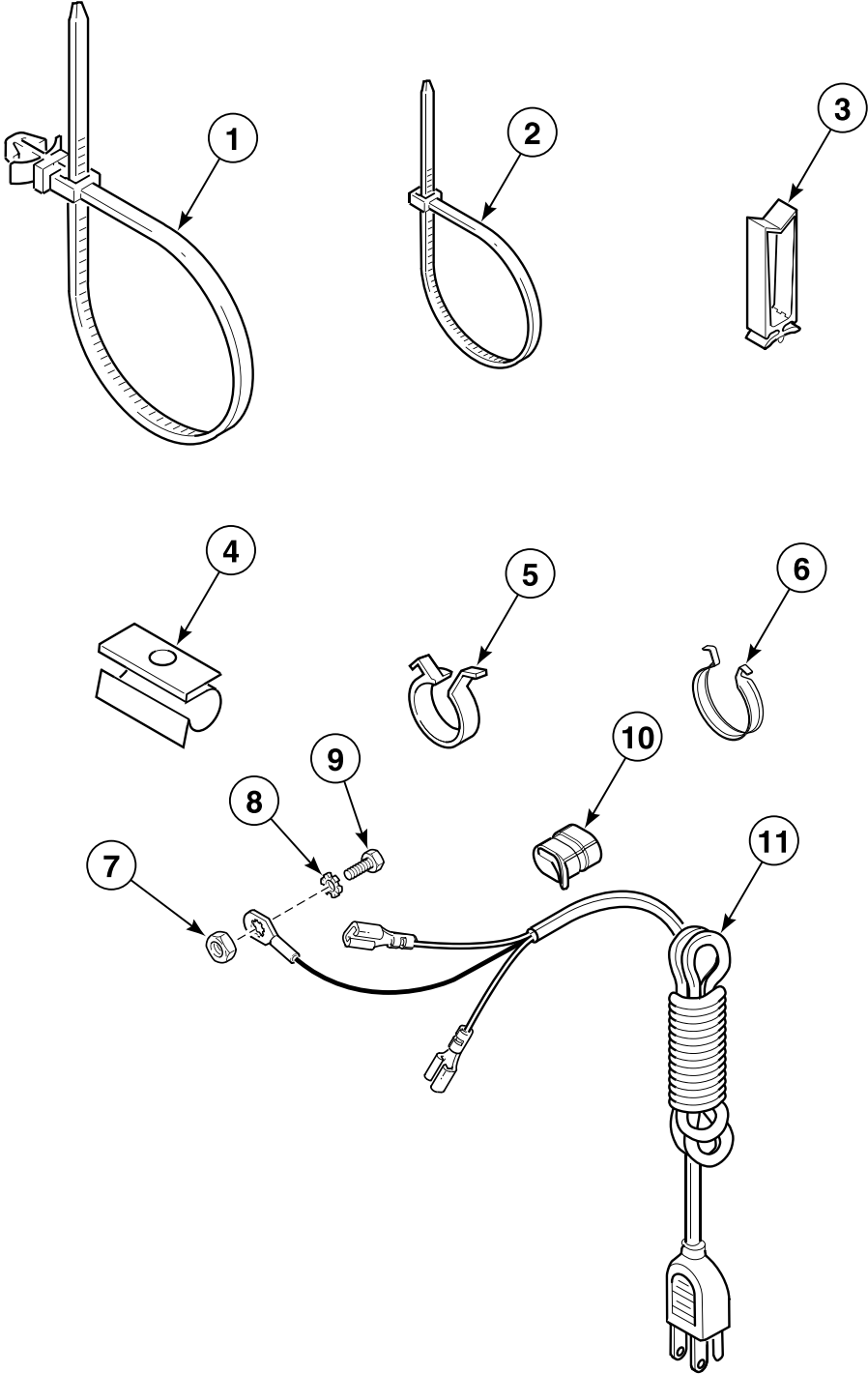
Washer Base, Side Panels and Rear Panel

REF	PART NO.	DESCRIPTION	COMMENTS
	784P3	Cabinet Brace Kit	Use this kit instead of items 12-14 and 23 on models with Serial Nos. through 0206018889
1	56128	Bumper Pad	
2	56079	Panel Locator	
3	39733	Screw	
4	800004WP	Cabinet Panel Kit	White; Left; Includes corner gusset with hardware
	800004LP	Cabinet Panel Kit	Almond; Left; Includes corner gusset with hardware
	800004QP	Cabinet Panel Kit	Bisque; Left; Includes corner gusset with hardware
5	503661	Screw	
6	800010P	Rear Panel	
7	685928	Screw Label	Left hand thread
8	61203	Thermostat Opening Cover	Models LTS87A*H2802 and LTZ89A*H0902
9	M405188	Screw	Use with item 8
10	801012	Rear Service Panel	
11	800005WP	Side Panel Kit	White; Right; Includes 801024 Dispenser Plate with hardware
	N/A	Side Panel Kit	Almond; Right; Includes 801024 Dispenser Plate with hardware
	800005QP	Side Panel Kit	Bisque; Right; Includes 801024 Dispenser Plate with hardware
12	31645	Screw	
13	N/A	Nut	Not used if ordering new braces (items 14 and 23)
14	801492	Cabinet Brace	Right; Used only on models starting Serial No. 0206018890 or with a new base assembly (item 22)
15	21899	Nut	For 1/2 inch leveling leg
16	34319	Leveling Leg	1/2 inch leveling leg
17	34318	Rubber Foot	For 1/2 inch leveling leg
18	70282	Rubber Foot	For 3/8 inch leveling leg
19	800014	Leveling Leg	3/8 inch leveling leg
20	20274	Nut	For 3/8 inch leveling leg
21	800015	Leveling Leg Spacer	For 3/8 inch leveling leg
22	802245	Base Assembly	
23	801491	Cabinet Brace	Left; Used only on models starting Serial No. 0206018890 or with a new base assembly (item 22)
24	918P3	Brace Kit	Includes items 12, 14 and 23; Used only on models starting Serial No. 0206018890 or with a new base assembly (item 22)

* Add Letter To Designate Color. L - Almond Q - Bisque W - White

N/A = Part no longer available

Washer Lead-In Cord, Wire Ties and Harness Clips



H130P_801998

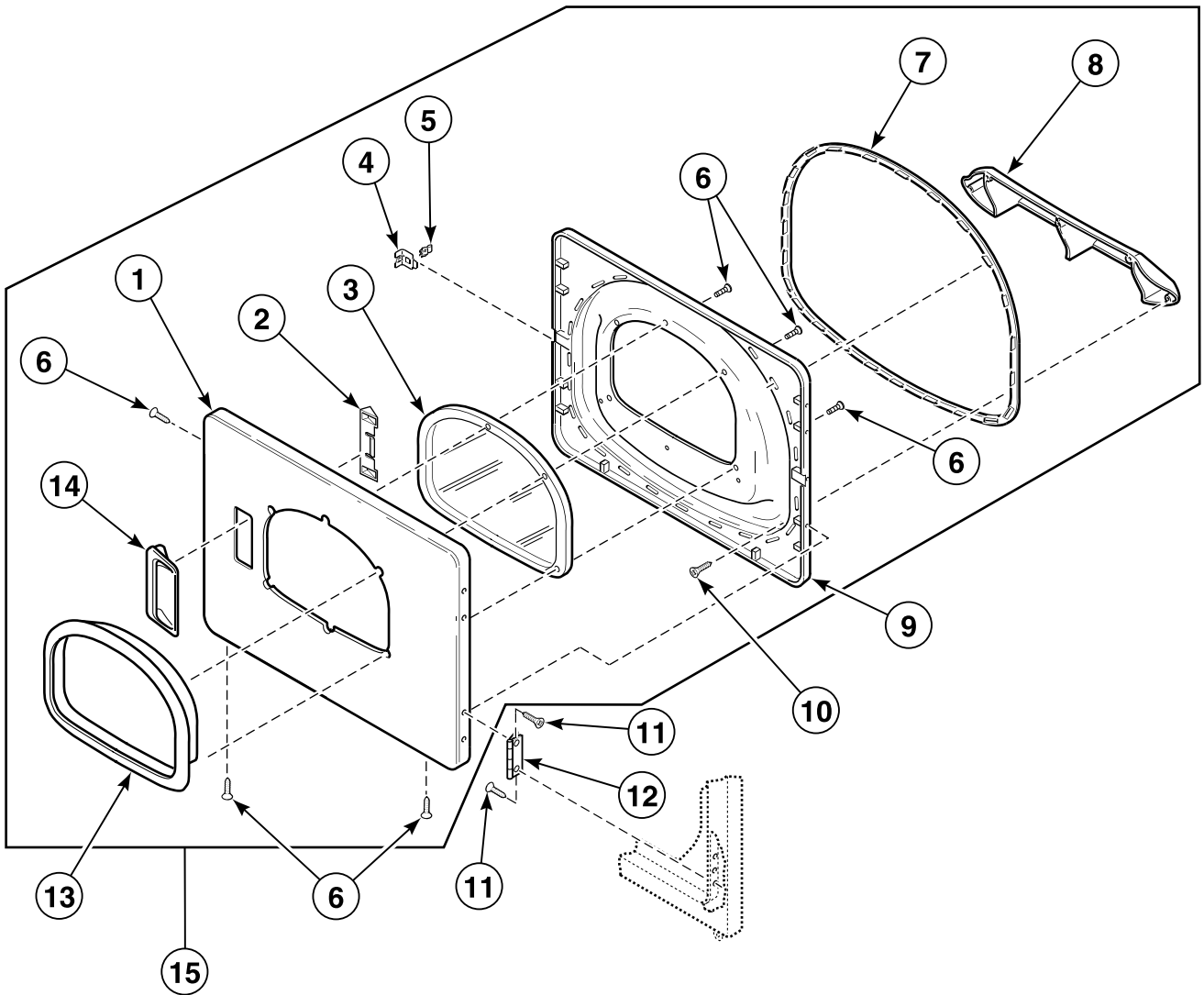
Washer Lead-In Cord, Wire Ties and Harness Clips

REF	PART NO.	DESCRIPTION	COMMENTS
1	38663	Wire Tie	
2	55881	Harness Strap	
3	36274	Wire Clip	
4	36985	Hose Clip	
5	504034	Wire Clip	Small
6	687500	Wire Clip	Large
7	03673	Nut	
8	03815	Washer	
9	N/A	Screw	
10	38384	Strain Relief	
11	34458	Lead-In Cord	All models except LTZ87A*H2802 and LTZ89A*H0902

* Add Letter To Designate Color. L - Almond Q - Bisque W - White

N/A = Part no longer available

Dryer Loading Door



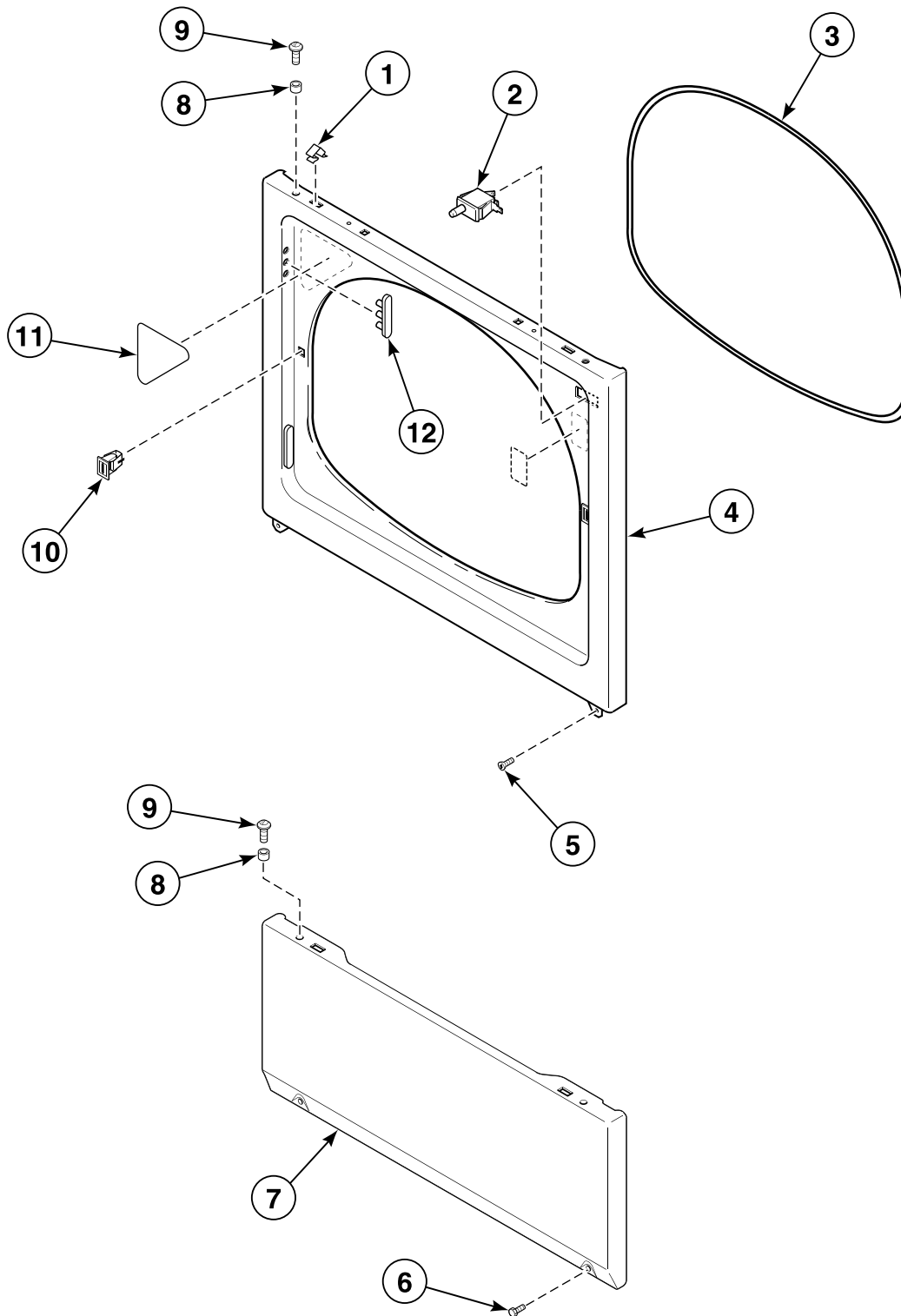
D427P_801998

Dryer Loading Door

REF	PART NO.	DESCRIPTION	COMMENTS
1	510082WP	Dryer Door	White
	510082LP	Dryer Door	Almond
	510082QP	Dryer Door	Bisque
2	510129	Door Handle Wedge	
3	503982	Dryer Door Window	
4	510127	Door Strike Mount	
5	510181	Door Strike	
6	500226	Screw	
7	510147P	Liner Door Seal	
8	503870W	Door Liner Grill	
9	510098W	Liner and Seal Assembly	Includes item 7
10	505870	Screw	
11	505295	Screw	
12	511036	Hinge	
13	503981W	Window Trim	White
	503981L	Window Trim	Almond
	503981Q	Window Trim	Bisque
14	510103WP	Door Pull and Wedge Kit	White; Includes item 2
	510103LP	Door Pull and Wedge Kit	Almond; Includes item 2
	510103QP	Door Pull and Wedge Kit	Bisque; Includes item 2
15	511636WP	Door and Liner Assembly	White; Includes items 1-10, 13 and 14
	N/A	Door and Liner Assembly	Almond; Includes items 1-10, 13 and 14
	511636QP	Door and Liner Assembly	Bisque; Includes items 1-10, 13 and 14

N/A = Part no longer available

Dryer Access Panel, Front Panel and Seal

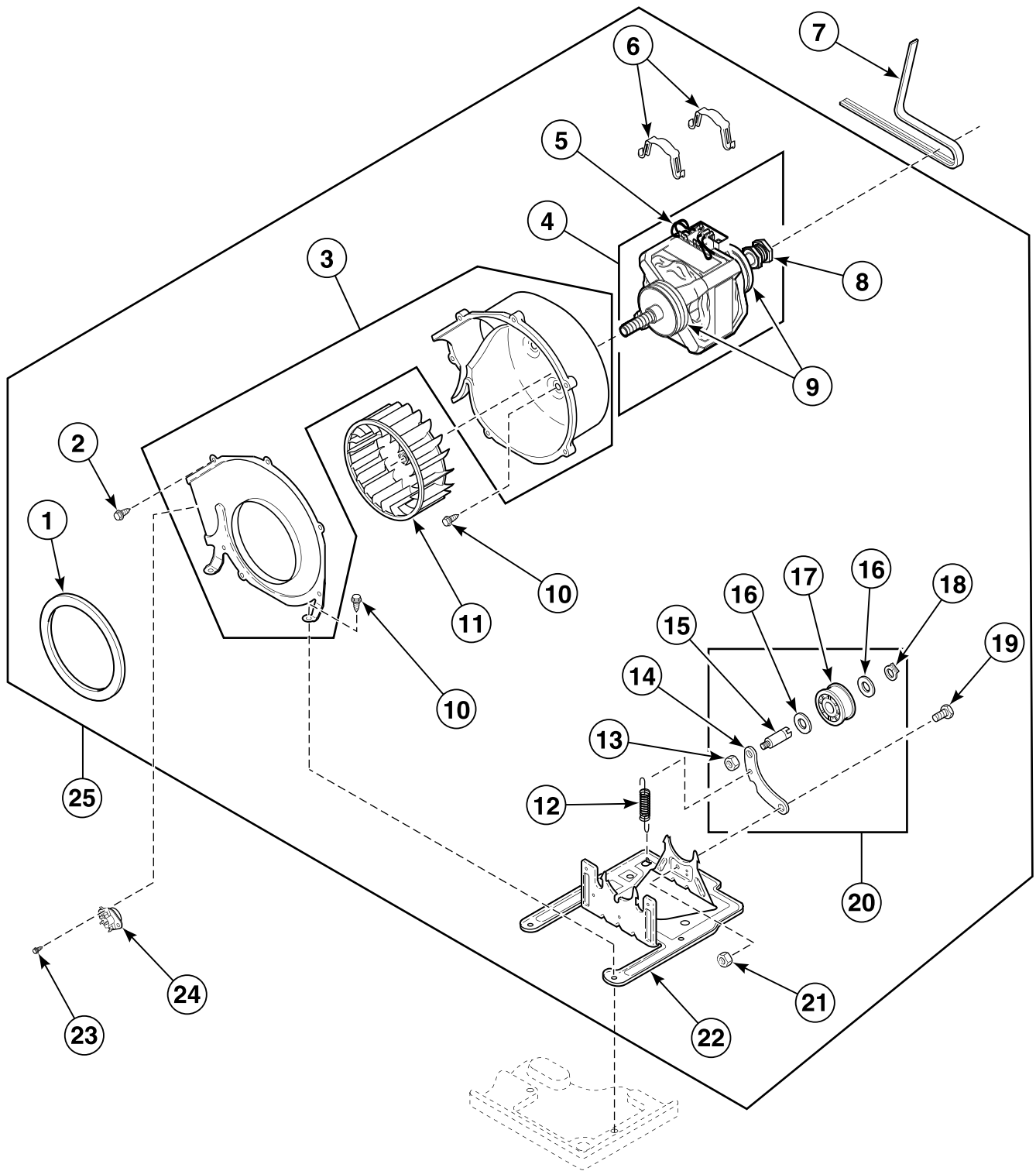


SWD648P_801998

Dryer Access Panel, Front Panel and Seal

REF	PART NO.	DESCRIPTION	COMMENTS
1	28835	Speed Clip	
2	504570	Switch	
3	511056	Front Panel Seal	
4	510066WP	Front Panel	White
	510066LP	Front Panel	Almond
	510066QP	Front Panel	Bisque
5	503688	Screw	
6	33562	Screw	Slotted hex head
	62853	Screw	Torx head; Optional for added security
7	510069WP	Access Panel	White
	510069LP	Access Panel	Almond
	510069QP	Access Panel	Bisque
8	56079	Panel Locator	
9	39733	Screw	
10	510177	Door Catch Assembly	
11	500281	Warning/Caution Label	English
	500253	Caution Label	English/French
12	510186	Hinge Hole Plug	

Dryer Motor, Exhaust Fan and Belt



SWD1159P_801998

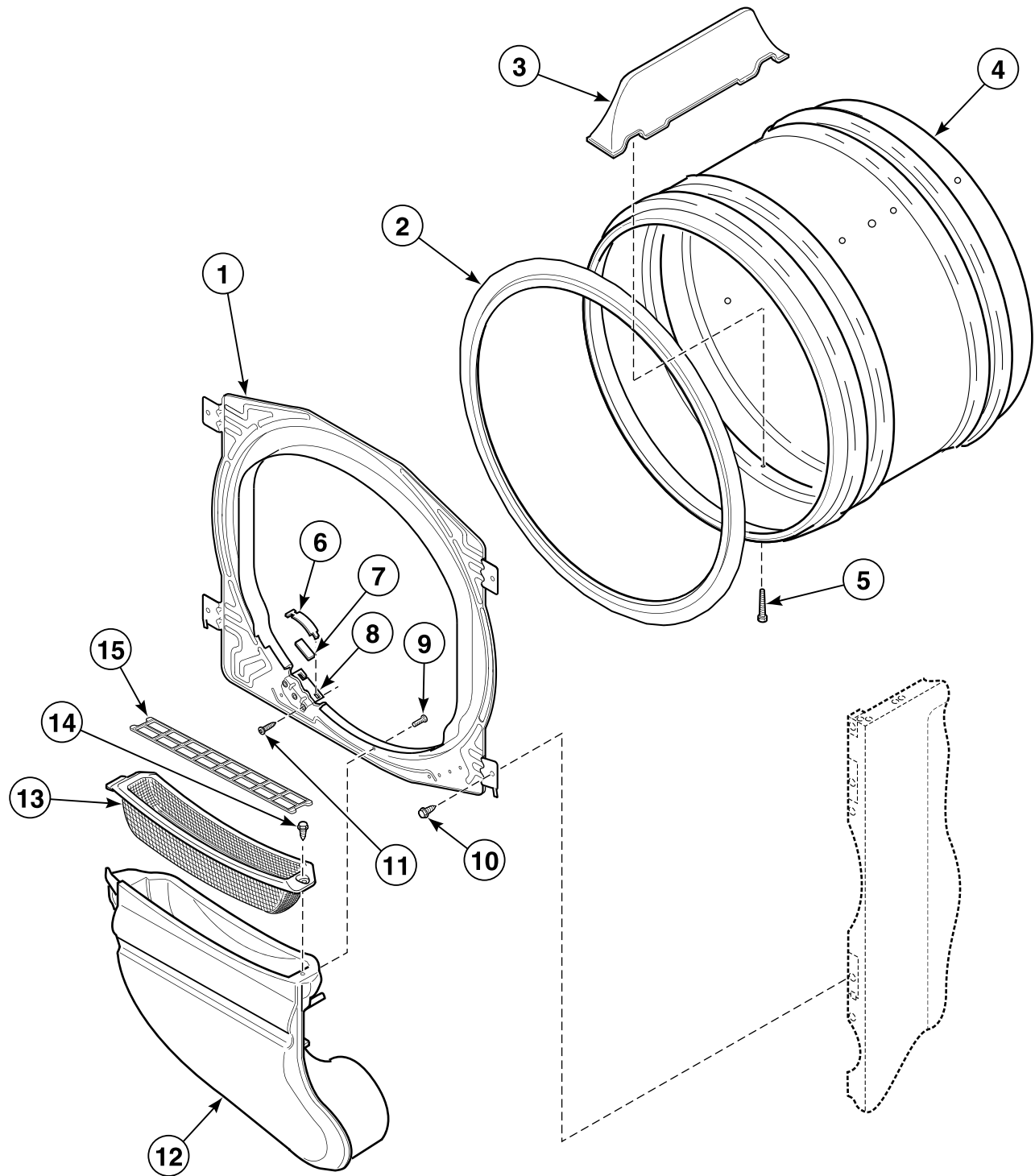
Dryer Motor, Exhaust Fan and Belt

REF	PART NO.	DESCRIPTION	COMMENTS
1	510238P	Blower Housing Seal	
2	31260	Screw	
3	511969P	Blower Housing and Cover Kit	
4	511629P	Motor and Pulley Assembly	120 Volt/60 Hertz; Includes items 5, 8 and 9
5	N/A	Motor Switch Kit	Does not include thermal protector
6	510180	Motor Mount Clamp	
7	511255P	Cylinder Belt	
8	500011	Motor Pulley	
9	590P3	Motor Hub Ring Kit	
10	503688	Screw	
11	510139P	Blower Fan Assembly	
12	510185	Idler Spring	
13	56156	Nut	
14	510133	Idler Lever	
15	56461P	Shaft	
16	52549	Washer	
17	510142P	Idler Wheel and Bearing Assembly	
18	23748	Retaining Ring	
19	500824	Screw	
20	510158	Idler Lever and Wheel Assembly	Includes items 13-18
21	52566	Nut	
22	510060	Motor Mount	
23	23222	Screw	
24	504515	Thermostat	Models LTS87A*H, LTS87A*H1500, LTU87A*H, LTZ87A*H and LTZ87A*H2802
	510707P	Thermostat	Models LTS89A*H, LTU89A*H, LTZ89A*H and LTZ89A*H0902
25	510717P	Blower and Fan Kit	Includes items 1-6 and 8-22

* Add Letter To Designate Color. L - Almond Q - Bisque W - White

N/A = Part no longer available

Front Bulkhead, Air Duct, Felt Seal and Cylinder



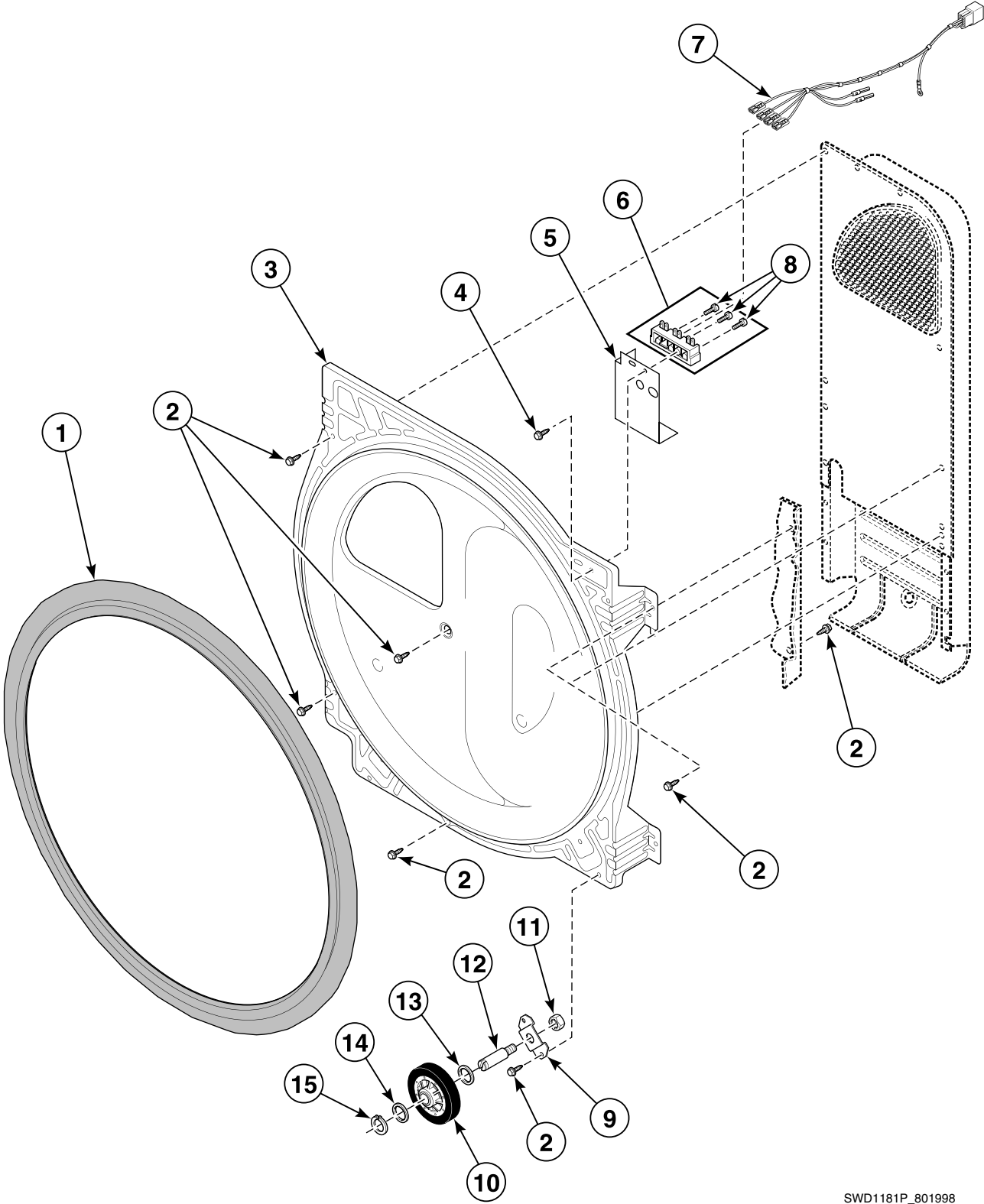
DRY823P_801998

Front Bulkhead, Air Duct, Felt Seal and Cylinder

REF	PART NO.	DESCRIPTION	COMMENTS
1	511033WP	Front Bulkhead Assembly	White; Includes item 2; Models LTZ87A*H2802 and LTZ89A*H0902
	510266P	Front Bulkhead Assembly	Unpainted; Includes item 2; All other models
2	510207P	Cylinder Seal Assembly	
	511637P	Adhesive	Use on cylinder seal
3	510102	Cylinder Baffle	
4	505929P	Cylinder Assembly	Stainless steel; Includes item 3; Models LTZ87A*H2802 and LTZ89A*H0902
	510265P	Cylinder Assembly	Galvanized; Includes item 3; All other models
5	62588	Screw	
6	510187	Cylinder Glide	
7	510189	Felt Pad	
8	510145	Cylinder Glide Bracket	
9	52864	Screw	
10	503688	Screw	
11	505295	Screw	
12	510151	Air Duct Assembly	
13	503980	Lint Filter	
14	501285	Screw	
15	510502	Lint Filter Cover	

* Add Letter To Designate Color. L - Almond Q - Bisque W - White

Rear Bulkhead, Felt Seal, Cylinder Roller and Terminal Block



SWD1181P_801998

Rear Bulkhead, Felt Seal, Cylinder Roller and Terminal Block

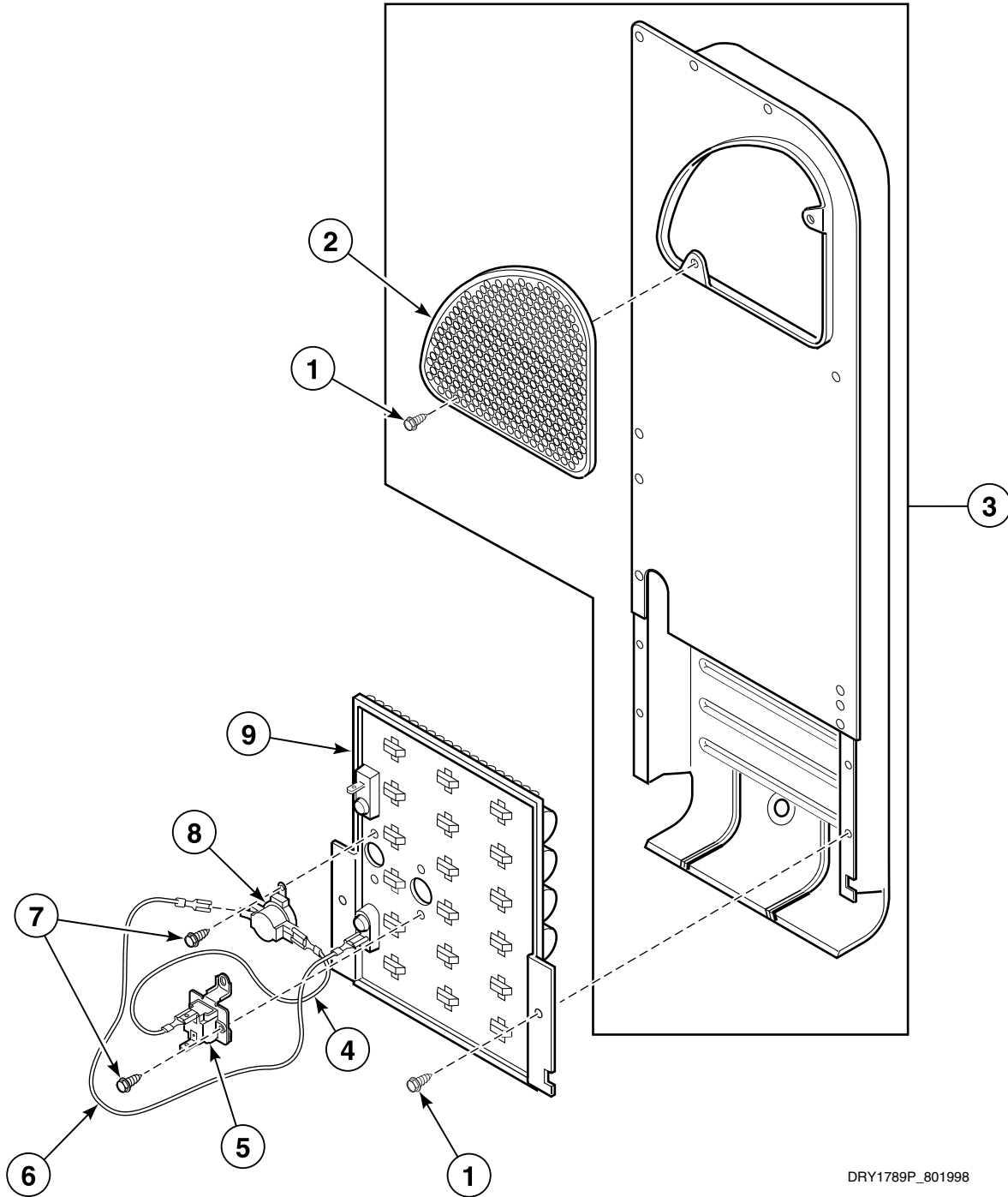
REF	PART NO.	DESCRIPTION	COMMENTS
1	510207P	Cylinder Seal Assembly	
	511637P	Adhesive	Use on cylinder seal
2	503688	Screw	
3	N/A	Rear Bulkhead Assembly	Stainless steel; Includes item 1; Models LTZ87A*H2802 and LTZ89A*0902
	511082P	Rear Bulkhead Assembly	Galvanized; Includes item 1; All other models
4	501285	Screw	Models LTS87A*H, LTS87A*H1500, LTU87A*H, LTZ87A*H and LTZ87A*H2802
5	510237	Terminal Block Shield	Models LTS87A*H, LTS87A*H1500, LTU87A*H, LTZ87A*H and LTZ87A*H2802
6	510190P	Terminal Block Assembly	Includes 3 of item 7; Models LTS87A*H, LTS87A*H1500, LTU87A*H, LTZ87A*H and LTZ87A*H2802
7	510622	Wire Harness Assembly	Model LTZ87A*H2802
	510621P	Wire Harness Assembly	Model LTZ89A*H0902
8	61199	Screw	
9	510100	Cylinder Roller Bracket	
10	510708P	Cylinder Roller	
11	56156	Nut	
12	56461P	Shaft	
13	504082	Washer	
14	52549	Washer	
15	23748	Retaining Ring	

* Add Letter To Designate Color. L - Almond Q - Bisque W - White

N/A = Part no longer available

Heater Duct and Element Assembly

Models LTS87A*H, LTS87A*H1500, LTU87A*H, LTZ87A*H and LTZ87A*H2802



DRY1789P_801998

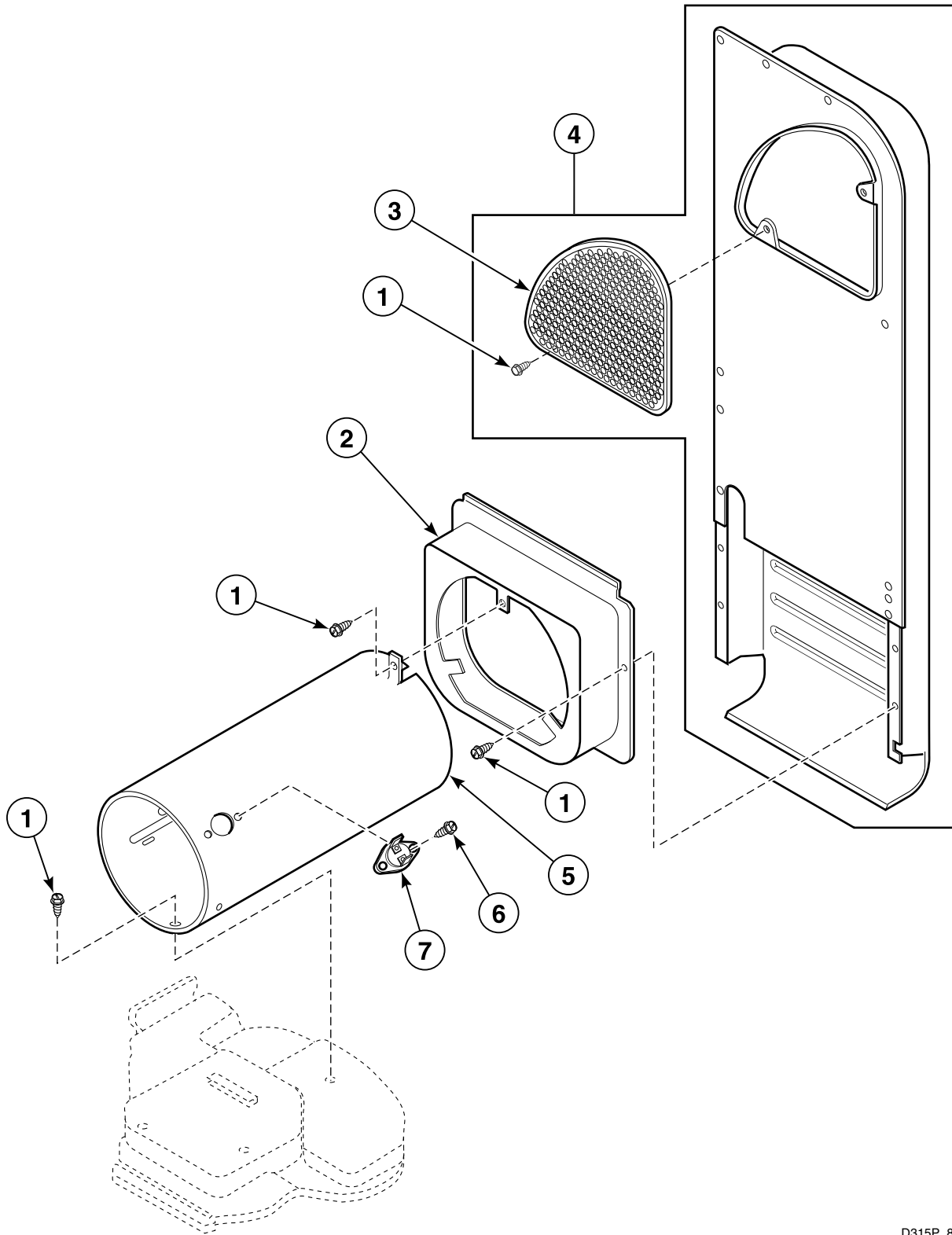
Heater Duct and Element Assembly

REF	PART NO.	DESCRIPTION	COMMENTS
1	503688	Screw	
2	500820	Outlet Cover	
3	510025P	Heater Duct and Screw Assembly	Includes items 1 and 2
4	510528	Wire Assembly	Orange; Thermostat jumper; Attaches to heater assembly
5	511412	Thermal Fuse Assembly	
6	510527	Wire Assembly	Black; Fuse jumper; Attaches to heater assembly
7	23222	Screw	
8	510701	Limit Thermostat	
9	510325P	Heater	Model LTS87A*H1500; 4750 Watt; 208 Volt/60 Hertz
	510324P	Heater Assembly	Model LTZ87A*H2802; 5000 Watt; 240 Volt/60 Hertz
	510329P	Heater Assembly	All other models; 5350 Watt; 240 Volt/60 Hertz
	61928	Heater Kit Assembly	All other models; 4750 Watt; 208 Volt/60 Hertz

* Add Letter To Designate Color. L - Almond Q - Bisque W - White

Heater Duct Assembly

Models LTS89A*H, LTU89A*H, LTZ89A*H and LTZ89A*H0902



D315P_801998

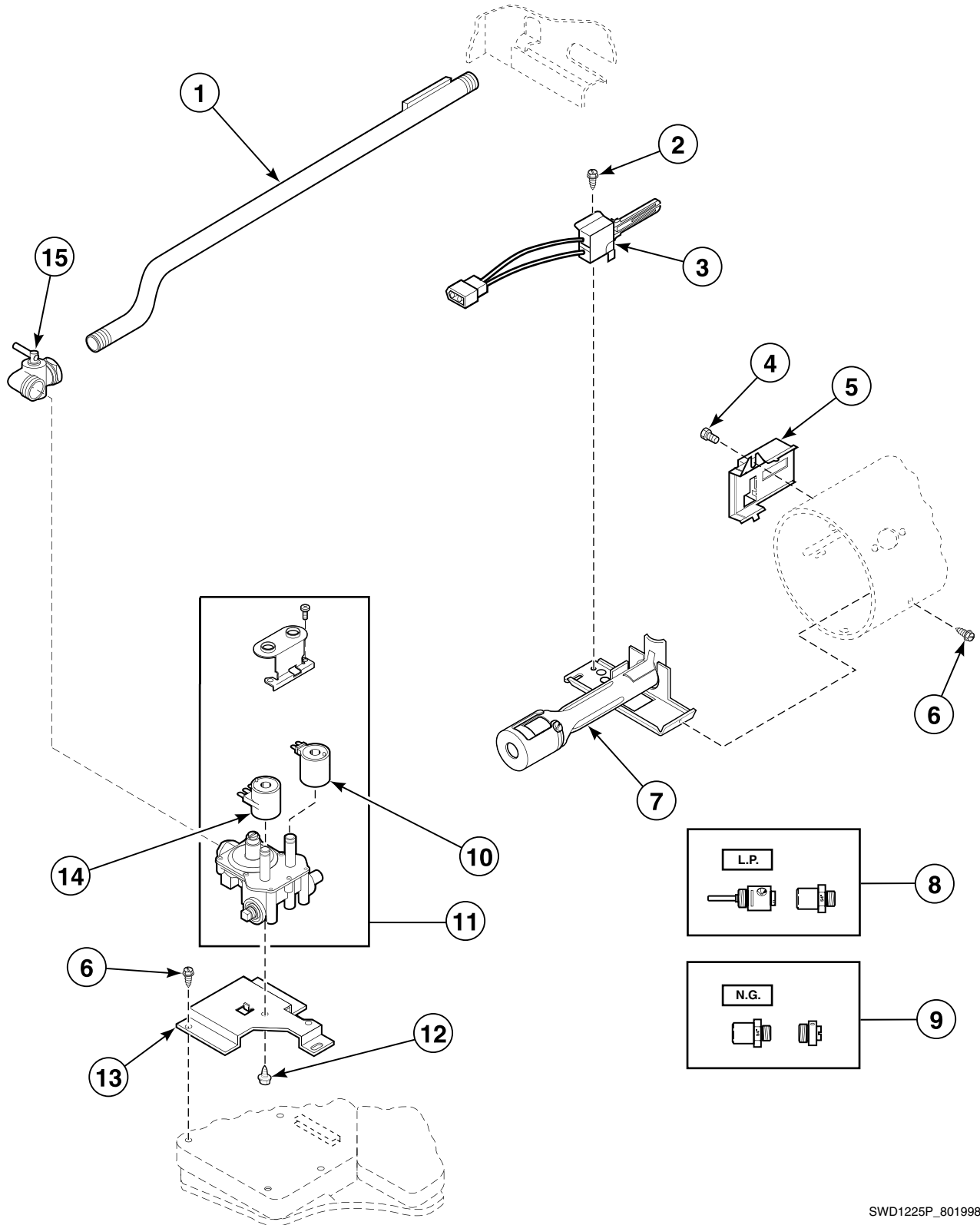
Heater Duct Assembly

REF	PART NO.	DESCRIPTION	COMMENTS
1	503688	Screw	
2	510101	Heat Duct Shroud	
3	500820	Outlet Cover	
4	510025P	Heater Duct and Screw Assembly	Includes items 1 and 3
5	510131	Combustion Duct	
6	51782	Screw	
7	510702	Limit Thermostat	Color code "black"

* Add Letter To Designate Color. L - Almond Q - Bisque W - White

Gas Valve, Igniter and Gas Conversion Kits

Models LTS89A*H, LTU89A*H, LTZ89A*H and LTZ89A*H0902

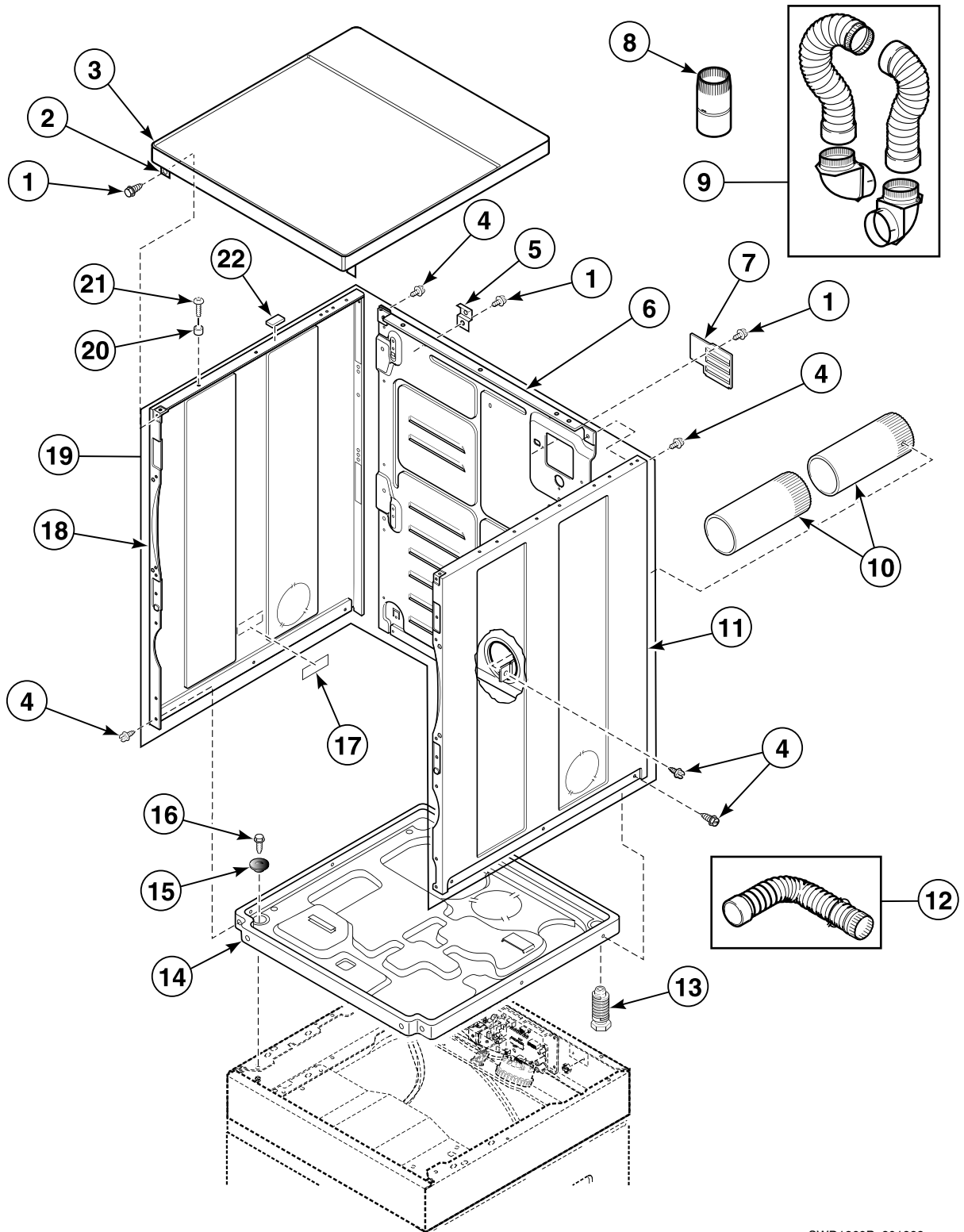


Gas Valve, Igniter and Gas Conversion Kits

REF	PART NO.	DESCRIPTION	COMMENTS
1	510204	Lead-In Pipe Assembly	
2	51782	Screw	
3	510184P	Igniter and Bracket Assembly	
4	23222	Screw	
5	510213	Sensor	
6	503688	Screw	
7	510149P	Burner Assembly	
8	649P3	L.P. Conversion Kit	Used to convert dryers from Natural Gas (N.G.) or Mixed Gas to Liquid Petroleum Gas (L.P.); 22,500 Btu
9	650P3	N.G. Conversion Kit	Used to convert dryers from L.P. to N.G. or Mixed Gas; 22,500 Btu
10	58804B	Secondary Coil	
11	510506P	Gas Valve Assembly	60 Hertz; 22,500 Btu
12	56124	Screw	
13	510128	Gas Valve Mounting Bracket	
14	58804A	Booster and Holding Coil	
15	510205	Elbow Shut-Off Valve	

* Add Letter To Designate Color. L - Almond Q - Bisque W - White

Dryer Cabinet, Exhaust Duct and Base



SWD1260P_801998

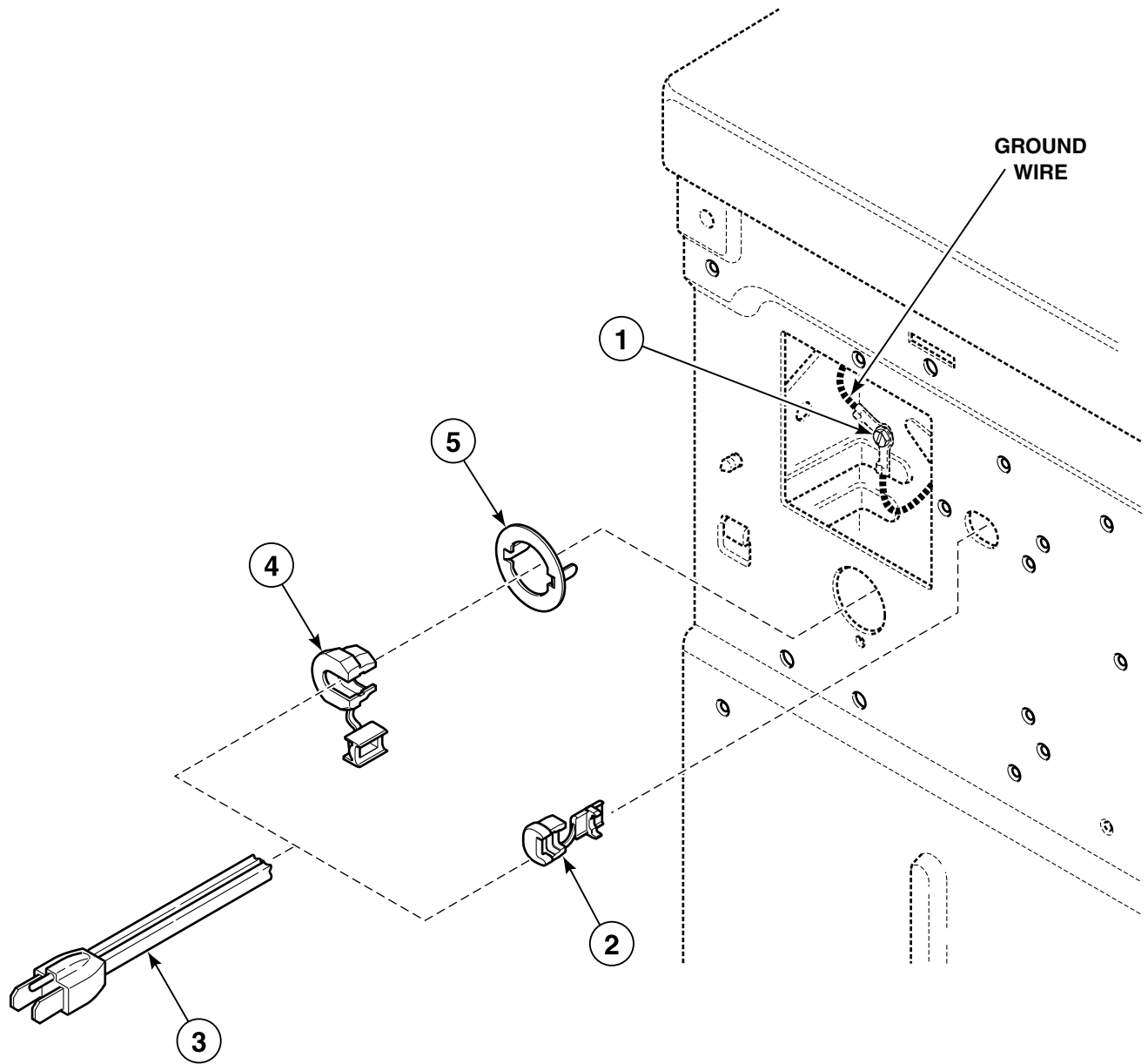
Dryer Cabinet, Exhaust Duct and Base

REF	PART NO.	DESCRIPTION	COMMENTS
1	503661	Screw	
2	510146	Bracket	
3	510032WP	Top Kit	White
	510032LP	Top Kit	Almond
	510032QP	Top Kit	Bisque
4	503688	Screw	
5	510136	Top Hinge	
6	510005P	Cabinet Rear Panel	
7	510903	Access Panel Plate	
8	58786	Damper	
9	521P3	Flexible Venting Kit	
10	510137	Exhaust Duct	2 required
11	510002WP	Cabinet Side Panel	White; Right
	510002LP	Cabinet Side Panel	Almond; Right
	510002QP	Cabinet Side Panel	Bisque; Right
12	528P3	Directional Exhaust Kit	Used to vent dryer out the sides
13	510135	Leveling Leg	
14	510084	Dryer Base	
15	501307	Washer	
16	502431	Screw	
17	61294	Fuse Notice Label	Models LTS87A*H, LTS87A*H1500, LTU87A*H, LTZ87A*H and LTZ87A*H2802
18	510001WP	Cabinet Side Panel	White; Left
	510001LP	Cabinet Side Panel	Almond; Left
	510001QP	Cabinet Side Panel	Bisque; Left
19	727P3W	Panel Kit	White; Replaces the 1 piece wrap-a-round cabinet; Kit includes items 6, 11, 18 and the necessary attaching hardware
	727P3L	Panel Kit	Almond; Replaces the 1 piece wrap-a-round cabinet; Kit includes items 6, 11, 18 and the necessary attaching hardware
	727P3Q	Panel Kit	Bisque; Replaces the 1 piece wrap-a-round cabinet; Kit includes items 6, 11, 18 and the necessary attaching hardware
20	56079	Panel Locator	
21	39733	Screw	
22	56128	Bumper Pad	

* Add Letter To Designate Color. L - Almond Q - Bisque W - White

Dryer Power Cord

Models LTS89A*H, LTU89A*H, LTZ87A*H2802, LTZ89A*H and LTZ89A*H0902



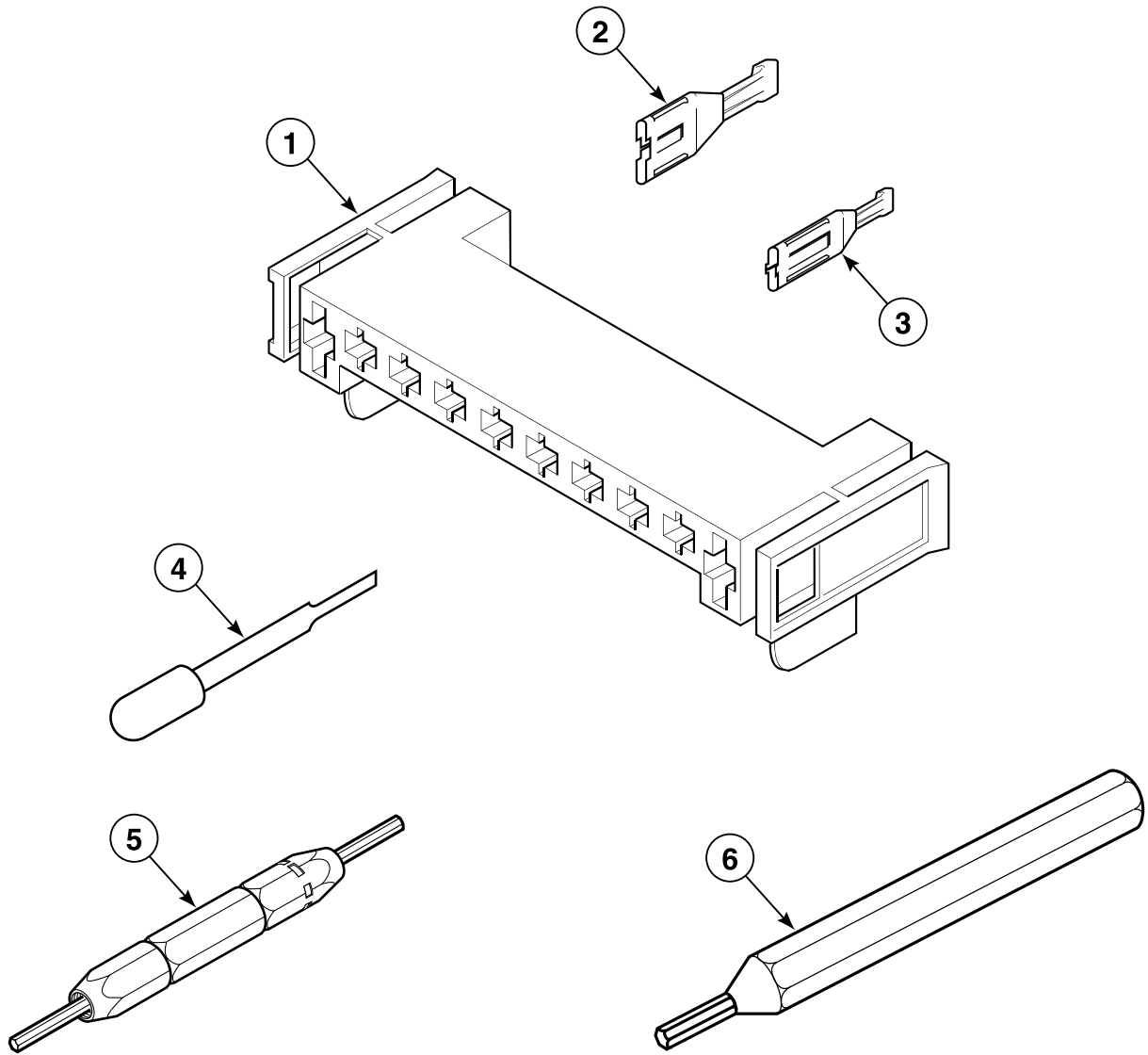
SWD1222P_801998

Dryer Power Cord

REF	PART NO.	DESCRIPTION	COMMENTS
1	20530	Screw	
2	38384	Strain Relief	Models LTS89A*H, LTU89A*H, LTZ87A*H2802 and LTZ89A*H
3	58992	Power Cord Assembly	Model LTZ89A*H0902
	57397	Power Cord Assembly	Model LTZ87A*H2802
	59308	Lead-In Cord	Models LTS89A*H, LTU89A*H and LTZ89A*H
4	52151	Strain Relief	Model LTZ89A*H0902
5	502496	Strain Relief Adapter	Model LTZ89A*H0902; Use with item 4

* Add Letter To Designate Color. L - Almond Q - Bisque W - White

Dryer Motor Connection Block, Terminal Extractor Tools

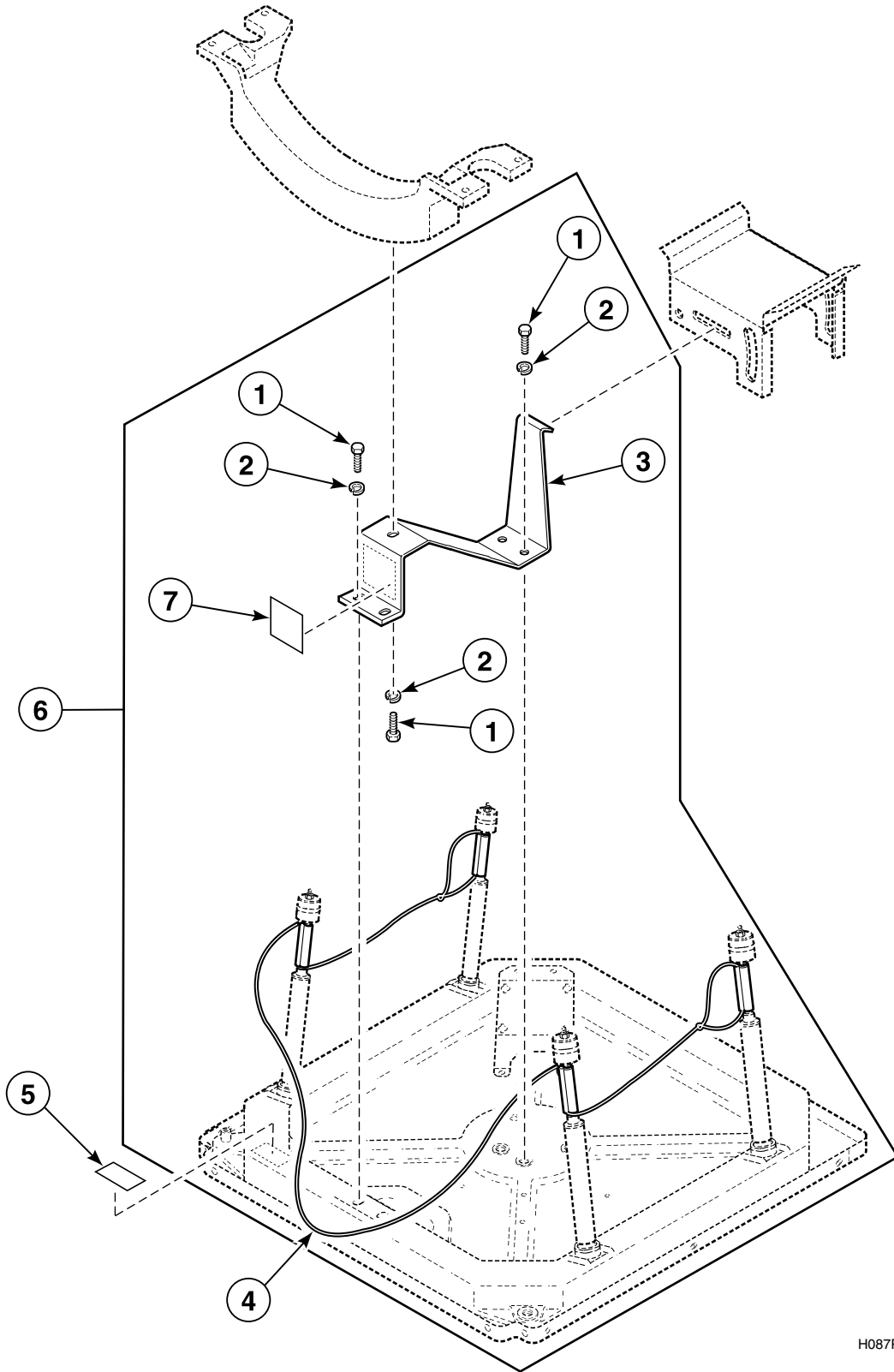


SWD1216P_801998

Dryer Motor Connection Block, Terminal Extractor Tools

REF	PART NO.	DESCRIPTION	COMMENTS
1	500338	10 Position Housing	Molex; 10 circuit
2	00255	Female Terminal	1/4 inch; (1) 12 gauge wire
	00256	Female Terminal	1/4 inch; (1) or (2) 18 gauge wires
3	00188	Female Terminal	For 1 or 2 wire applications
4	283P4	Terminal Extractor Tool	For use on Molex connectors
5	190P4	Extractor Tool	For use on electric dryer terminals
6	128P4	Extractor Tool	For use on gas dryer terminals

Shipping Materials

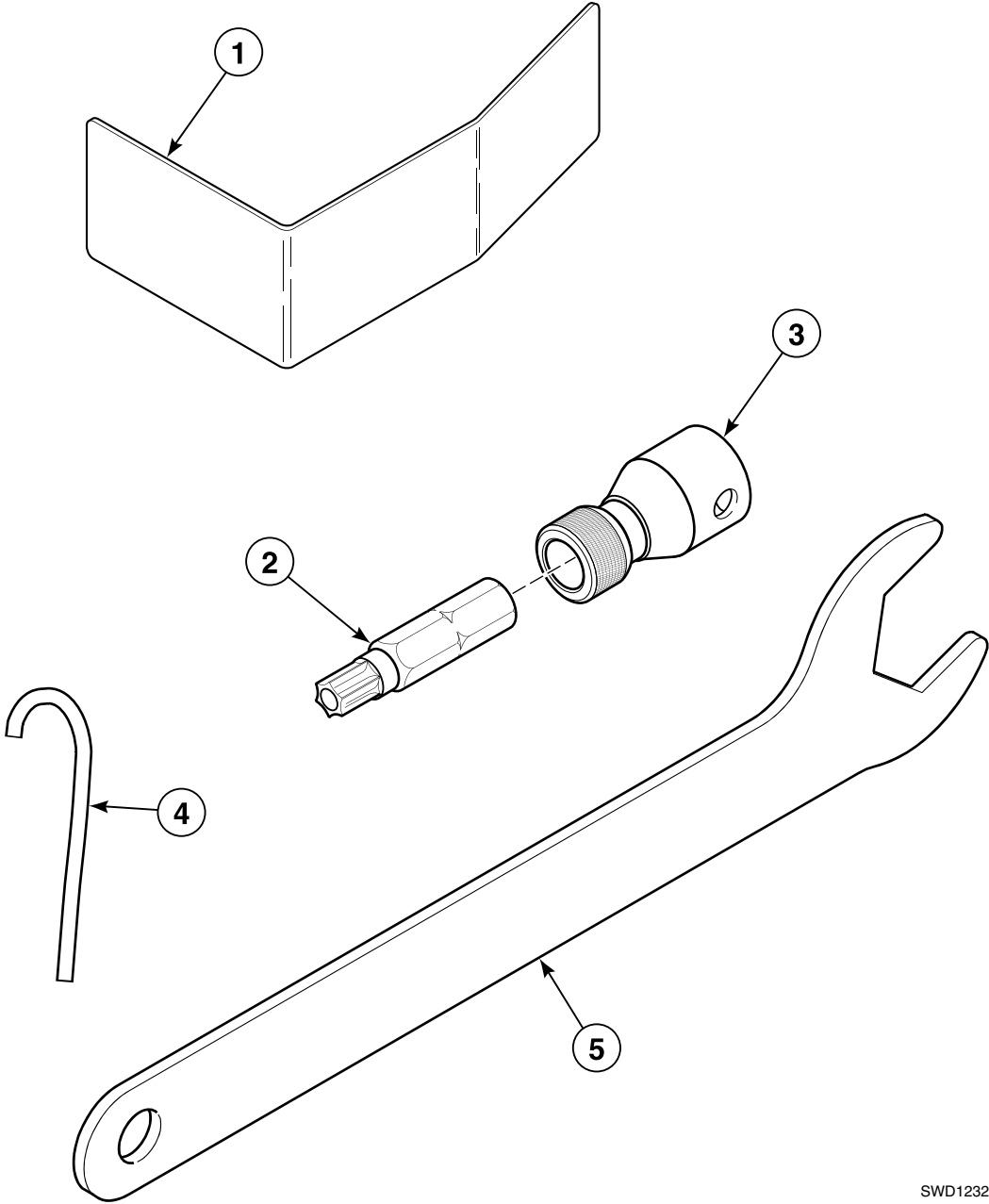


H087P_801998

Shipping Materials

REF	PART NO.	DESCRIPTION	COMMENTS
1	M400043	Screw	
2	M400014	Washer	
3	685911	Shipping Bracket	
4	800364P	Shipping Cord and Brace Assembly	
5	500049	Warning Label	
6	728P3	Shipping Materials Kit	Includes items 1-4 and 7
7	686901	Shipping Bracket Label	

Special Tools

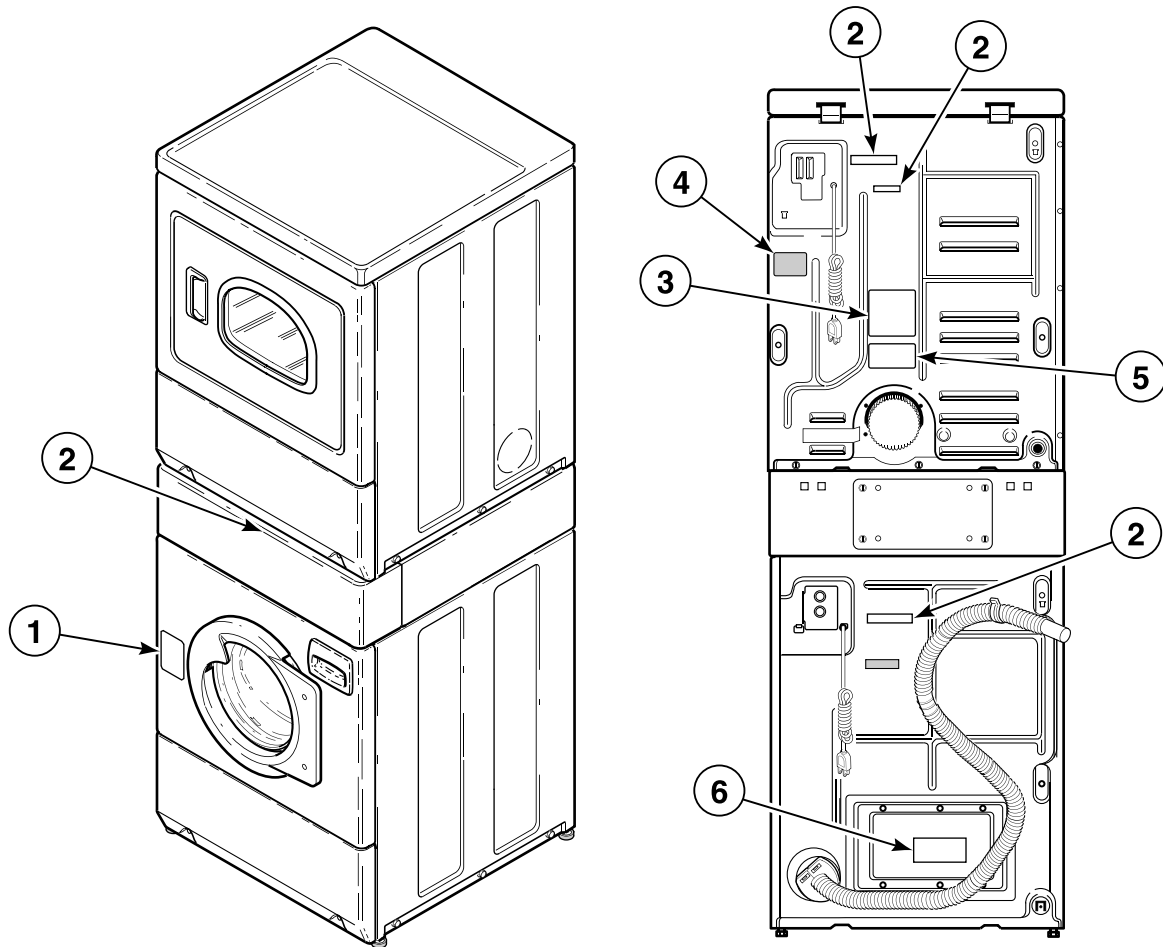


SWD1232P_801998

Special Tools

REF	PART NO.	DESCRIPTION	COMMENTS
1	318P4	Dispenser Drawer Tool	Use to remove dispenser drawer
2	282P4	Torx Bit	Use with 62853 Screw
3	24161	Bit Holder	Use with 62853 Screw
4	802336	Pulley Bolt Tightening Fixture	Use to install inner basket
5	392P4	Wrench	Use for adjusting leveling legs

Labels

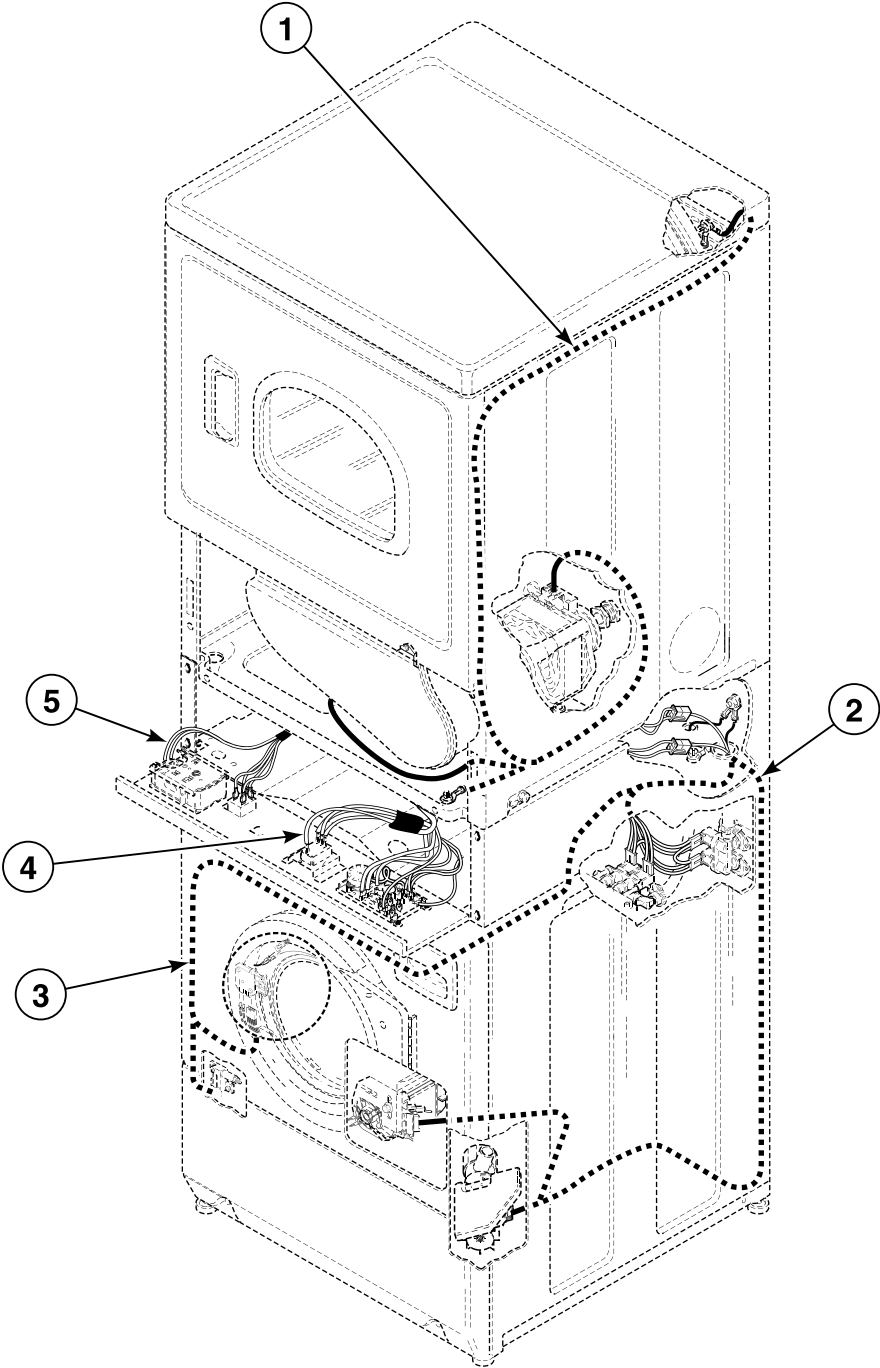


SWD1136P_801998

Labels

REF	PART NO.	DESCRIPTION	COMMENTS
1	685947	Door Locked Label	
2	505281	Disconnect Power Warning Label	
3	502791	Venting Instruction Label	
4	62104	Voltage Warning Label	Model LTS87A*H1500
5	500497	Exhaust Warning Label	
6	500049	Warning Label	

Wire Harnesses and Wires



SWD1188P_801998

Wire Harnesses and Wires

REF	PART NO.	DESCRIPTION	COMMENTS
	45001	18 Gauge Wire	Black; Order wire by foot and terminals and connectors as required
	45380	12 Gauge Wire	Orange; Order wire by foot and terminals and connectors as required
1	511322P	Upper Harness Assembly	Models LTS87A*H, LTS87A*H1500, LTU87A*H, LTZ87A*H and LTZ87A*H2802
	511325P	Upper Harness Assembly	Models LTS89A*H, LTU89A*H, LTZ89A*H and LTZ89A*H0902
2	800120P	Motor Wire Harness	
3	687574P	Base Wire Harness	
4	511323	Security Cabinet Harness Assembly	Models LTS89A*H, LTU89A*H, LTZ89A*H and LTZ89A*H0902
	511324P	Security Cabinet Harness	Models LTS87A*H, LTS87A*H1500, LTU87A*H, LTZ87A*H and LTZ87A*H2802
5	800932P	Control Harness Assembly	

* Add Letter To Designate Color. L - Almond Q - Bisque W - White

NOTE: Individual wires are not available separately. Order complete harness, or order wire by the foot. When applying terminals to wires, it is recommended that the terminals be soldered to the wires.

Parts Index

A

Access Panel	
510069LP	9, 29
510069QP	9, 29
510069WP	9, 29
Access Panel Damper	
685368	9
Access Panel Plate	
510903	43
Adhesive	
511637P	33, 35
Air Duct Assembly	
510151	33
Anti-Seize Compound	
27604P	17

B

Backflow Preventer	
34500	11, 13
800310	21
Ballast Weight	
800205	15
Base Assembly	
802245	23
Base Shock Absorber Kit	
800623P	15
Base Wire Harness	
687574P	55
Bearing Housing Kit	
800428P	17
Bit Holder	
24161	51
Blower and Fan Kit	
510717P	31
Blower Fan Assembly	
510139P	31
Blower Housing and Cover Kit	
511969P	31
Blower Housing Seal	
510238P	31
Booster and Holding Coil	
58804A	41
Brace Kit	
918P3	23
Bracket	
510146	43
Bumper Pad	
56128	23, 43
Burner Assembly	
510149P	41

C

Cabinet Brace	
801491	23

801492	23
Cabinet Brace Kit	
784P3	23
Cabinet Panel Kit	
800004LP	23
800004QP	23
800004WP	23
Cabinet Rear Panel	
510005P	43
Cabinet Side Panel	
510001LP	43
510001QP	43
510001WP	43
510002LP	43
510002QP	43
510002WP	43
Caution Label	
500253	29
Clamp Ring	
800312	15
Combustion Duct	
510131	39
Control Board Kit	
800076P	5
Control Cabinet Bottom	
801777	7
Control Cabinet Rear	
800867	5
Control Harness Assembly	
800932P	55
Control Panel Assembly	
800876L	7
800876Q	7
800876W	7
Control Shield	
801371	5
801372	5
Cylinder Assembly	
505929P	33
510265P	33
Cylinder Baffle	
510102	33
Cylinder Belt	
511255P	31
Cylinder Glide	
510187	33
Cylinder Glide Bracket	
510145	33
Cylinder Roller	
510708P	35
Cylinder Roller Bracket	
510100	35
Cylinder Seal Assembly	
510207P	33, 35

D

Damper	
58786	43

N/A items do not appear in index.

Detergent Cover	
800899	11
Directional Exhaust Kit	
528P3	43
Disconnect Power Warning Label	
505281	53
Dispenser	
685756P	11
Dispenser Assembly	
801476P	11
Dispenser Drawer Front	
685715L	11
685715Q	11
685715WP	11
Dispenser Drawer Tool	
318P4	51
Dispenser Plate	
801024	11
Dispenser-to-Tub Hose	
800331	11
Domed Label	
800921	7
800922	7
800923	7
Door and Liner Assembly	
511636QP	27
511636WP	27
Door Assembly	
800436LP	9
800436QP	9
800436WP	9
Door Bezel	
800341L	9
800341Q	9
800341W	9
Door Catch Assembly	
510177	29
Door Glass	
800343P	9
Door Handle	
800342	9
Door Handle Wedge	
510129	27
Door Hinge	
802934	9
Door Latch/Switch Assembly	
685429	9
Door Liner Grill	
503870W	27
Door Locked Label	
685947	53
Door Pull and Wedge Kit	
510103LP	27
510103QP	27
510103WP	27
Door Seal and Hose Assembly	
800232	9, 11
801784	9, 11
Door Seal Clamp	
685743P	9
Door Strike	
510181	27
Door Strike Mount	
510127	27

Door Switch	
800211	9
Drain Hose	
685730	21
Drain Hose Sleeve	
33615	21
Drain Pump Kit	
888P3	21
Drive Belt	
800319P	19
Driven Pulley	
800866	17
Dryer Base	
510084	43
Dryer Door	
510082LP	27
510082QP	27
510082WP	27
Dryer Door Window	
503982	27

E

Elbow Shut-Off Valve	
510205	41
Exhaust Duct	
510137	43
Exhaust Warning Label	
500497	53
Expansion Clip	
70030501	5, 7, 19
Extension Spring	
800346	9
Extractor Tool	
128P4	47
190P4	47

F

Fabric Selector Switch	
510212	7
Felt Pad	
510189	33
Female Terminal	
00188	47
00255	47
00256	47
Fill Hose	
20617	13
20618	13
Fill Hose Kit	
28330P	13
Flexible Venting Kit	
521P3	43
Front Bulkhead Assembly	
510266P	33
511033WP	33
Front Panel	
510066LP	29
510066QP	29
510066WP	29
800336LP	9

N/A items do not appear in index.

800336QP	9
800336WP	9
Front Panel Seal	
511056	29
Fuse	
F350138	5
Fuse Notice Label	
61294	43

G

Gas Valve Assembly	
510506P	41
Gas Valve Mounting Bracket	
510128	41
Gasket	
802427	21
Grommet	
29175	15
802218	21
Grounding Clip	
00161	15

H

Hardware Kit	
838P3	17
Harness Strap	
55881	9, 11, 25
Heat Duct Shroud	
510101	39
Heater	
510325P	37
Heater Assembly	
510324P	37
510329P	37
Heater Duct and Screw Assembly	
510025P	37, 39
Heater Kit Assembly	
61928	37
Hinge	
511036	27
Hinge Hole Plug	
510186	29
Hinge Plate	
802412	9
Hold-Down Clip	
800906	9
Hose Clamp	
F200206	21
36802	21
39282	15
685725	11
802164	9, 11, 13
Hose Clip	
36985	5, 25
800553	17
Hose Mounting Plate	
800552	17
Housing, 10 Position	
500338	47

I

Idler Lever	
510133	31
Idler Lever and Wheel Assembly	
510158	31
Idler Spring	
510185	31
Idler Wheel and Bearing Assembly	
510142P	31
Igniter and Bracket Assembly	
510184P	41
Inner Basket Assembly	
800429P	17
Inner Basket Kit	
800198P	17
Inner Door Bezel	
800340	9
Insert	
685716	11

K

Knob Assembly	
36701L	7
36701Q	7
36701W	7

L

Lead-In Cord	
34458	25
59308	45
Lead-In Pipe Assembly	
510204	41
Left Control Cabinet Side	
800900LP	5
800900QP	5
800900WP	5
Leveling Leg	
34319	23
510135	43
800014	23
Leveling Leg Spacer	
800015	23
Lid Assembly	
801206P	21
802426P	21
Light	
32519	7
Limit Thermostat	
510701	37
510702	39
Liner and Seal Assembly	
510098W	27
Liner Door Seal	
510147P	27
Lint Filter	
503980	33
Lint Filter Cover	
510502	33

N/A items do not appear in index.

Locking Catch 685430	9
L.P. Conversion Kit 649P3	41

M

Mixing Valve 802220P	13
Mixing Valve Plate 800323	13
Mixing Valve Screen 802926	13
Motor and Pulley Assembly 511629P	31
Motor Assembly 685639P	19
Motor Brush Kit 738P3	19
Motor Hub Ring Kit 590P3	31
Motor Mount 510060	31
Motor Mount Clamp 510180	31
Motor Mount Rod 801062	19
Motor Pulley 500011	31
Motor Wire Harness 800120P	55

N

Nut	
F430218	15
03673	25
20274	23
21899	23
23951	9
36020	9
52566	31
56156	31, 35
685844	17
685846	9
800452	15, 17
800931	5
N.G. Conversion Kit 650P3	41

O

O-Ring	
801207	21
802429	21
802487	21
Outer Tub Assembly 801081P	15
Outlet Cover 500820	37, 39

Out-of-Balance Switch Assembly 801006	15
Overlay 800920	7

P

Panel Kit	
727P3L	43
727P3Q	43
727P3W	43
Panel Locator 56079	9, 23, 29, 43
Pop Rivet 685847	17
Power Cord Assembly	
57397	45
58992	45
Pressure Bulb 30907	15
Pressure Switch 800468P	5
Pulley Bolt Tightening Fixture 802336	51
Pump Bracket 802219	21
Pump Housing	
801208	21
802428	21
Pump Housing Assembly	
801209	21
802434P	21
Pump Mount 802432	21
Pump Shield 38067	21
Pump-to-Dispenser Hose Assembly 800424	21

R

Rear Bulkhead Assembly 511082P	35
Rear Panel 800010P	23
Rear Service Panel 801012	23
Resistor Assembly 511277	7
Retainer Clip 36014	21
Retaining Ring 23748	31, 35
Right Control Cabinet Side	
800915L	5
800915Q	5
800915W	5
Rubber Foot	
34318	23
70282	23

N/A items do not appear in index.

S

Screw	
M400043	17, 49
M400056	19
M405188	23
M411072	19
20530	45
23008	9
23222	31, 37, 41
31260	31
31645	23
33562	29
38096	21
39733	9, 23, 29, 43
430497	5
500226	27
500824	31
501086	7, 13
501285	21, 33, 35
501524	5
502431	43
503661	5, 9, 13, 15, 19, 21, 23, 43
503688	29, 31, 33, 35, 37, 39, 41, 43
505295	27, 33
505870	27
51782	39, 41
52864	33
56124	41
61199	35
62588	33
62853	29
685831	17
800461	15
800462	15, 17
800528	9
800548	9, 11
800930	7
801001	11
801019	9
801993	9
802430	21
802431	21
Screw Label	
685928	23
Sealant	
27615P	21
Secondary Coil	
58804B	41
Security Cabinet Harness	
511324P	55
Security Cabinet Harness Assembly	
511323	55
Sensor	
510213	41
Shaft	
56461P	31, 35
Shipping Bracket	
685911	49
Shipping Bracket Label	
686901	49
Shipping Cord and Brace Assembly	
800364P	49
Shipping Materials Kit	
728P3	49

Side Panel Kit	
800005QP	23
800005WP	23
Snap Bushing	
M402542	5
M405340	7
503235	5
Speed Clip	
28835	29
Standpipe Strap	
33489	21
Strain Relief	
32219	21
38384	25, 45
52151	45
Strain Relief Adapter	
502496	45
Switch	
504570	29
Switch Mounting Bracket	
800663	15

T

Temperature Switch	
687542P	7
Tension Rod Assembly	
800666	17
Terminal Block Assembly	
510190P	35
Terminal Block Shield	
510237	35
Terminal Extractor Tool	
283P4	47
Thermal Fuse Assembly	
511412	37
Thermostat	
504515	31
510707P	31
Thermostat Opening Cover	
61203	23
Timer	
505794P	7
687537P	7
Timer and Harness Kit	
505797P	7
Timer Knob	
201501Q	7
201501W	7
Timer Knob Assembly	
512117Q	7
512117W	7
Timer Skirt Assembly	
36700Q	7
36700W	7
Top Hinge	
510136	43
Top Kit	
510032LP	43
510032QP	43
510032WP	43
Torx Bit	
282P4	51

N/A items do not appear in index.

Transformer	
686513P	19
Trunnion Shaft and Hardware Kit	
800749P	17
Tub Front Assembly	
800430	15
Tub Front Seal	
800432P	15, 17
Tub Shock Absorber Kit	
800622P	15
Tubing	
800648P	15
Tub-to-Pump Hose	
800317	21

U

Upper Harness Assembly	
511322P	55
511325P	55

V

Valve Kit	
685766P	11
Valve-to-Dispenser Inlet Hose	
801464	11, 13
Venting Instruction Label	
502791	53
Voltage Warning Label	
62104	53

W

Warning Label	
500049	15, 49, 53
Warning/Caution Label	
500281	29
Washer	
M400014	19, 49
M400080	19
M400081	15
M403958	17
02834	19
03815	25
20290	13
28605	13
501307	43
504082	35
52549	31, 35
800457	15, 17
800464	17
800465	21
802254	13
Window Trim	
503981L	27
503981Q	27
503981W	27
Wire Assembly	
510527	37
510528	37

Wire Clamp Ring	
800438	9
Wire Clip	
36274	25
504034	25
687500	11, 25
Wire Harness Assembly	
510621P	35
510622	35
Wire Tie	
38663	21, 25
Wire, 12 Gauge	
45380	55
Wire, 18 Gauge	
45001	55
Wrench	
392P4	51

N/A items do not appear in index.